

Diode, Resistor, Shunt and Transorb electrical protection devices easily install in common Mini fuse holders. Provide voltage and current limiting functionality to vehicle circuitry.

Part Number	Description	Profile	Brand
0297900	Shunt - 20A Maximum continuous load rating.	Standard	Littelfuse <b>NEW</b>
02400113P	Diode - 1A. Reverse current protector. Keyed. (400V PIV).	Standard	Littelfuse
22903-6	Diode - 6A. Reverse current protector. Keyed.	Tall	Bussmann
22903-6V	Diode - 6A. Reverse current protector. Keyed + Wing.	Tall	Bussmann
22902-68	Resistor - 5W. Resistance: 68Ω. Voltage drop device.	Tall	Bussmann
22901-1.5	Transorb - Clamp Rating: 27VDC. Power Rating: 1500W. Voltage spike protector.	Tall	Bussmann

**Voltage:** 12VDC or 24VDC

**Materials:** (02400113P) Thermoplastic housing, black. (229xx series) Thermoplastic housing, grey with metal cover.

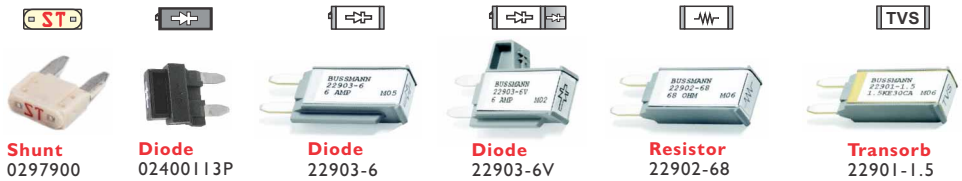
**Termination Type:** 2.8mm blades. Compatible with ISO 280 blocks.

**Diode Key Feature:** Standard key denotes installation direction.

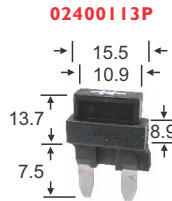
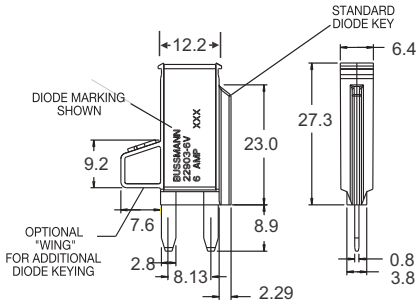
Wing key available for error proof installation in Bussmann VEC.

**Holders:** Please refer to our holder compatibility table on our QR datasheet.

**Pack Size:** Stock lines 1 pc. Indent items contact sales.



Dimensions in MM



**PART NUMBER OVERVIEW**

Part Number	Description
0297900	Short Shunt
02400113P	Short Keyed Diode
22903-6	Tall Keyed Diode
22903-6V	Tall Keyed Diode (with wing)
22902-68	Tall Resistor
22901-1.5	Tall Transorb

**HOLDER COMPATIBILITY TABLE FOR MINI TYPE DEVICES**

**Short Shunt** will fit into any holder that fits a Mini fuse.

Holder Part Number	Holder Type	Input Bus	Catalog Page(s)	Resistor / Transorb	Keyed Diodes		
				Tall	Short	Tall	Tall with Wing
BPDMA104HXFI	PDU	Yes (x1)	104	No <sup>2</sup>	Yes	No <sup>2</sup>	No <sup>3</sup>
CFH-ALS	PDU	No	105	Yes	Yes	Yes	Yes <sup>4</sup>
CFH-ASS	PDU	No	105	No	Yes	No	No
PDM33003ZXM	PDU	No	106	Yes	Yes	Yes	Yes <sup>4</sup>
PDM31001ZXM	PDU	No	107	Yes	Yes	Yes	Yes <sup>5</sup>
PDM21001LXM	PDU	No	108	Yes	Yes	Yes	Yes <sup>4</sup>
PDM71001ZXM	PDU	No	TBA	Yes	Yes	Yes	Yes <sup>4</sup>
15310-1-1	PDU	No	109	No	No	No	No
15310-1-2	PDU	No	109	Yes	Yes	Yes	Yes <sup>4</sup>
PDMKIT001	PDU	Yes (x2)	110	No <sup>5</sup>	No <sup>1</sup>	No <sup>1</sup>	No
PDMKIT002	PDU	Yes (x2)	111	Yes	No <sup>1</sup>	No <sup>1</sup>	No
PDMKIT003	PDU	Yes (x2)	111	Yes	No <sup>1</sup>	No <sup>1</sup>	No
PDMKIT004	PDU	Yes (x2)	110	No <sup>5</sup>	No <sup>1</sup>	No <sup>1</sup>	No
15303 series	PDU	Mixed	112-113	Yes <sup>5</sup>	No <sup>1</sup>	No <sup>1</sup>	No
15401 series	PDU	Mixed	114-115	Yes	No <sup>1</sup>	No <sup>1</sup>	No
01460K	PDU	No	118-121	No	No	No	No
01510K	PDU	No	118-121	No	No	No	No
01560K	PDU	No	118-121	No	No	No	No
01640	PDU	No	118-121	No	Yes	No	No
01690	PDU	No	118-121	No	No	No	No
01698	PDU	No	118-121	Yes	Yes	Yes	Yes <sup>4</sup>
FCB-26	PCB Mount	No	64	Yes	Yes	Yes	Yes
153008	PCB Mount	No	64	Yes	No	No	No
FHM001	INLINE	No	69	No	No	No	No
FHMB001B	INLINE	No	69	Yes	No	No	No
FHM002	INLINE	No	69	No	No	No	No
50152K	INLINE	No	69	Yes	No	No	No
01435K	BLOCK	No	83	No	No	No	No

Notes:

1. Diode key obstructed by module component layout sticker.
2. Cover is not tall enough ie. will not close. Fits if not using the cover.
3. Cover is not tall enough ie. will not close. Fits if not using the cover (but only 1 device can be installed).
4. Occupies 2 component positions due to the extra width of the wing.
5. Can only be fitted to an outer position, wing must rest on the outside edge of holder.
6. Shallow Cover is not tall enough ie. will not close. Deep cover must be used.