

Micro2, Micro3 & MCase Fuse Assortment Kit - 136pcs

Part Number
MICROASST-KIT

Kit Contains

Micro2 Blade Fuses;
MICR2005 x 10pcs, MICR207.5 x 10pcs,
MICR2010 x 10pcs, MICR2015 x 10pcs,
MICR2020 x 10pcs, MICR2025 x 10pcs,
MICR2030 x 10pcs

Micro3 Blade Fuses;
MICR3005 x 10pcs, MICR307.5 x 10pcs,
MICR3010 x 10pcs, MICR3015 x 10pcs

MCase Fusible Links;
MJC015 x 5pcs, MJC020 x 5pcs,
MJC025 x 5pcs, MJC030 x 5pcs,
MJC040 x 5pcs

Micro2 & Micro3 Fuse Puller;
00970025 x 1pc



Micro2 & Micro3 Assortment Kit - 55pcs

NEW

Part Number
MICR2+3-KIT

Kit Contains

Micro2 Blade Fuses;
MICR2005 x 5pcs, MICR207.5 x 5pcs,
MICR2010 x 5pcs, MICR2015 x 5pcs,
MICR2020 x 5pcs, MICR2025 x 5pcs,
MICR2030 x 5pcs

Micro3 Blade Fuses;
MICR3005 x 5pcs, MICR307.5 x 5pcs,
MICR3010 x 5pcs, MICR3015 x 5pcs



Micro2, Micro3 & MCase Fuse Retail Assortment 16pcs Total - 1 Compartment

NEW

Part Number
MICR000AP

Kit Contains 1pcs of each

MICR2005, MICR207.5, MICR2010, MICR2015,
MICR2020, MICR2025, MICR2030, MICR3005,
MICR307.5, MICR3010, MICR3015, MJC015,
MJC020, MJC025, MJC030, MJC040.



MICRO2 FUSE ASSORTMENT KITS

Prolec
Blade Types

Micro2 Fuse Kit - 90pcs

Part Number
MICR2-KIT

Kit Contains
MICR2005 x 10pcs, MICR207.5 x 10pcs,
MICR2010 x 20pcs, MICR2015 x 10pcs,
MICR2020 x 20pcs, MICR2025 x 10pcs,
MICR2030 x 10pcs



Micro2 Fuse Kit - 35pcs

Part Number
MICR2-KIT2

Kit Contains
MICR2005 x 5pcs, MICR207.5 x 5pcs,
MICR2010 x 5pcs, MICR2015 x 5pcs,
MICR2020 x 5pcs, MICR2025 x 5pcs,
MICR2030 x 5pcs



NEW

Micro2 Fuse Assortment Pack - 7pcs

Part Number
MICR2000AP

Kit Contains
MICR2005 x 1pc, MICR207.5 x 1pc,
MICR2010 x 1pc, MICR2015 x 1pc,
MICR2020 x 1pc, MICR2025 x 1pc,
MICR2030 x 1pc



MICRO3 FUSE ASSORTMENT KITS

Prolec
Blade Types

Micro3 Fuse Assortment Pack - 4pcs

Part Number
MICR3000AP

Kit Contains
MICR3005 x 1pc, MICR307.5 x 1pc,
MICR3010 x 1pc, MICR3015 x 1pc



NEW

MCASE FUSE ASSORTMENT KITS

Prolec
Female Plug-in Type

Prolec assortment fuse kits contain genuine original equipment fuses. The cases are Australian made and are assembled locally. Custom kits are also available upon request. Contact Prolec for further information.

Mcase Fuse Assortment Kit 50pcs Total - 5 Compartments

Part Number
MCASE-KIT

Kit Contains
MJC015 (10), MJC020 (10), MJC025 (10),
MJC030 (10), MJC040 (10)



NEW

Datasheet: 3003

PROLEC

Email: info@prolecproducts.com
Web: www.prolecproducts.com

Micro2 Fuse Packs

| Part Number | Ampere Rating | Body Colour |
|-------------|---------------|-------------|
| MICR2005 | 5A | Tan |
| MICR207.5 | 7.5A | Brown |
| MICR2010 | 10A | Red |
| MICR2015 | 15A | Blue |
| MICR2020 | 20A | Yellow |
| MICR2025 | 25A | Natural |
| MICR2030 | 30A | Green |



I.R.: 1000A at 32VDC
Voltage: 32VDC
Pack Size: 5, 10, 100, 500
Holders: Add-a-circuit & inline.
Approvals: RoHS

Micro3 Fuse Packs

| Part Number | Ampere Rating | Body Colour |
|-------------|---------------|-------------|
| MICR3005 | 5A | Tan |
| MICR307.5 | 7.5A | Brown |
| MICR3010 | 10A | Red |
| MICR3015 | 15A | Blue |



I.R.: 1000A at 32VDC
Voltage: 32VDC
Pack Size: 5, 10, 100, 500
Holders: Contact sales.
Features: 2 fuse elements in 1 fuse
Approvals: RoHS

MJC (MCase) Fuse Packs

| Part Number | Ampere Rating | Body Colour |
|-------------|---------------|-------------|
| MJC015 | 15A | Grey |
| MJC020 | 20A | Lt.Blue |
| MJC025 | 25A | White |
| MJC030 | 30A | Pink |
| MJC040 | 40A | Green |



I.R.: 1000A at 32VDC
Voltage: 32VDC
Features: Element window
Pack Size: 5, 10, 100, 500
Approvals: RoHS

MICRO FUSE PULLERS

Fuse pullers allow the user to quickly and easily remove a fuse without damaging the fuse block terminals. They can also be used to replace a fuse.

NEW

| Part Number | Extracts |
|-------------|---------------------------|
| 00970025 | Micro2 Fuse & Micro3 Fuse |
| 00970054 | Mcase Fusible Link |

Pack Size: 1, 10, 100

Notes: For dimensions please contact sales.



Spare Pack (SP):
 Contains 1pc fuse puller.



00970025



00970054

MICRO2 FUSE BLOCK 4 WAY (SPASH PROOF)

Bussmann

| Part Number | No. Poles | Max Amps Per Block |
|-------------|-----------|--------------------|
| FB4-ATR | 4 Pole | 30A |
| FB6-ATR | 6 Pole | 45A |

NEW
IPX4



Voltage: 32V
Circuit Rating: 15A max per circuit
Cover: Clear with o-ring seal
Block: Moisture resistant back plate
IP Rating: IPx4 (splash proof)
Terminals: Lateral 1/4" QC (6.25mm).
Mounting: Surface mount, M5 screw.
Fixing Hole: 5.5mm dia.
Pack Size: 1
Suit Fuse: Micro2
Options: Also available in 8 & 10 way.
 Please contact sales for information.
Notes: Fuses not included.

FB4-ATR
 83 (L) x 45 (W) x 39 (H)
 Fixing Centre (FC): 65mm

FB6-ATR
 103 (L) x 45 (W) x 39 (H)
 Fixing Centre (FC): 85mm



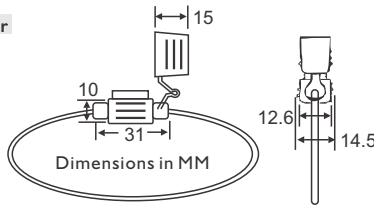
Spare Pack (SP):
 Contains 1 Fuse Block.

MICRO2 IN-LINE FUSE HOLDER SPLASH PROOF

Prolec

| Part Number | Description |
|-------------|----------------------------|
| FHC002 | 30A holder with fuse cover |

Voltage: 32V
Wire: 3mm² (#12AWG) stranded red
 305mm wire loop.
Body: Black PVC.
Terminals: Tin plated brass.
Pack Size: 1, 10, 100, 1000.



NEW
IPxx



Spare Pack (SP):
 Contains 1 fuse holder.

MICRO2 ADD-A-CIRCUIT FUSE HOLDER

Prolec

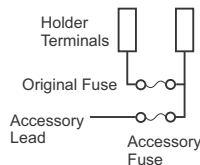
Converts a single fused circuit into two fuse protected circuits. Perfect for adding accessories. Simply plug the add a circuit holder into an existing energized fuse-block slot and insert the original fuse into slot (A) to continue protecting the original circuit. Finally insert a new fuse into slot (B) to protect the new accessory circuit powered by the included lead.

NEW

| Part Number | Suit Fuse Type | Max Installation Rating |
|-------------|----------------|-------------------------|
| FHC200 | Micro2 | 10A |

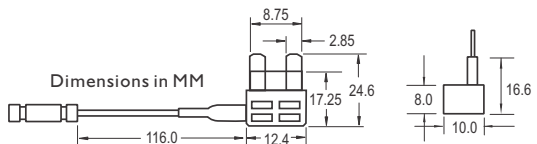
Voltage: 32V
Wire: 1mm² #16AWG red wire.
Terminal: Hardened brass crimp-type coupler.
Pack Size: 1, 10, 100
Notes: Fuses not included.
Approvals: RoHS

Circuit Diagram



Spare Pack (SP):
 Contains 1 Add a circuit.

Important
 Please ensure the gauge of the cable powering the original fuse is suitable for the additional current draw of the new circuit.



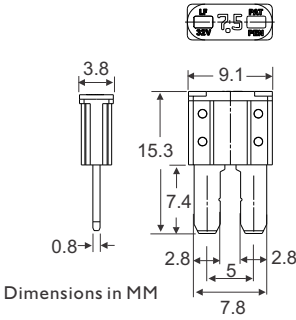
Datasheet: 3003



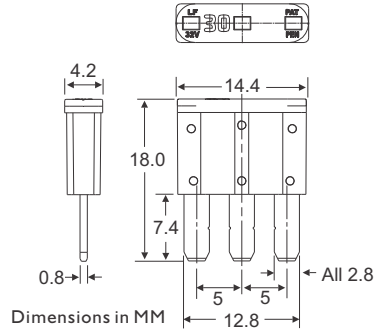
Email: info@prolecproducts.com
 Web: www.prolecproducts.com

MICRO FUSE DIMENSIONS

Micro2 Fuse Dimensions



Micro3 Fuse Dimensions



MJC (MCase) Dimensions

