



**RS Front
Connected**



**RS Front / Back Stud
Connected**



**RS Back Stud
Connected**



**RSL Front
Connected**

Part Number	Ampere Rating	Voltage Rating (IEC Approved)	Min - Max Conductor Size	Termination / Connection Style
RS20H	20A	690VAC/690VDC	10 - 8 AWG (2-10mm ²)	Front
RS20P/G	20A	690VAC/690VDC	*	Back Stud
RS20PH/G	20A	690VAC/690VDC	10 - 8 AWG (2-10mm ²)*	Front / Back Stud
RS20F	20A	690VAC/690VDC	*	Back Stud, Flush Mounted
RS32H	32A	690VAC/690VDC	10 - 6 AWG (5-16mm ²)	Front
RS32P	32A	690VAC/690VDC	*	Back Stud
RS32PH	32A	690VAC/690VDC	10 - 6 AWG (5-16mm ²)*	Front / Back Stud
RS63H	63A	690VAC/690VDC	6 - 1 AWG (13-50mm ²)	Front
RS63P	63A	690VAC/690VDC	*	Back Stud
RS63PH	63A	690VAC/690VDC	6 - 1 AWG (13-50mm ²)*	Front / Back Stud
RS100H	100A	690VAC/690VDC	4 - 3/0 AWG (21-70mm ²)	Front
RS100P	100A	690VAC/690VDC	*	Back Stud
RS100PH	100A	690VAC/690VDC	4 - 3/0 AWG (21-70mm ²)*	Front / Back Stud
RS200H	200A	690VAC/690VDC	2/0 - 250MCM AWG (67-120mm ²)	Front
RS200P	200A	690VAC/690VDC	*	Back Stud
RS200PH	200A	690VAC/690VDC	2/0 - 250MCM AWG (67-120mm ²)*	Front / Back Stud
RS400H	400A	690VAC/690VDC	250MCM - 500 AWG (127-240mm ²)	Front
RS400P	400A	690VAC/690VDC	*	Back Stud
RS400PH	400A	690VAC/690VDC	250MCM - 500 AWG (127-240mm ²)*	Front / Back Stud
RSL63H	63A	1200VAC/750VDC		Front
RSL63P	63A	1200VAC/750VDC	*	Back Stud
RSL63PH	63A	1200VAC/750VDC	(mm)*	Front / Back Stud

RS Series Specifications

Protection Level: IP20

Flammability: V-1 (RS20H to RS63H), V-0 (RS100H to RS400H)

Max. Operating Temperature: 40°C

Wire Type: 70°C PVC/Cu

Holder Colour: Black standard. White, Green, Grey also available contact sales.

Approvals: BS88, IEC 60269-1 & IEC 60269-2 (690VAC/ 690VDC)

CSA 22.2 No. 39, Class 6225 01, File 47235 (600VAC / 690VDC)

Notes: *Back stud connection requires use of customer supplied terminal lugs.

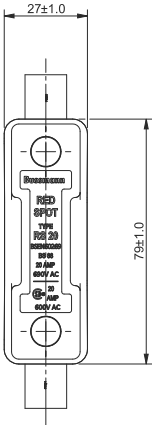
Minimum/maximum conductor size and torque per terminal lug manufacturer.

RSL Series Specifications: Contact sales for further information.

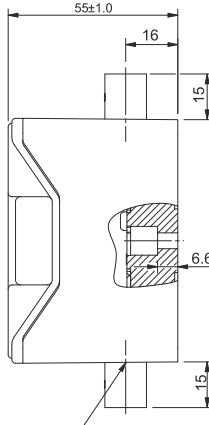
FUSE HOLDER TO FUSE COMPATIBILITY CHART

Carrier Series	415VAC Fuse Types	550VAC Fuse Types	690VAC Fuse Types	690VAC Fuse Types	1200VAC Fuse Types
RS20	NIT..L (2-20A)	NITD../NIT.. (2-20A)	-	-	-
RS32	TIA..L (2-32A)	AAO.. (2-32A)	..H07 (25-30A)	TIA.. (2-32A)	-
RS63	TIS..L (40-63A)	BAO.. (40-63A)	..K07 (40-60A)	TIS.. (40-63A)	-
RS100	TCP..L (80-100A)	CEO.. (32-100A)	..L14 (80-100A)	TCP.. (80-100A)	-
RS200	DD.. (125-200A)	-	..M09 (125-200A)	TF.. (125-200A)	-
RS400	EF.. (355-400A)	-	..P11 (250-400A)	TM.. (355-400A)	-
RS400	EFS.. (315A)	-	-	-	-
RSL63	-	-	-	-	..HD36, TAC.

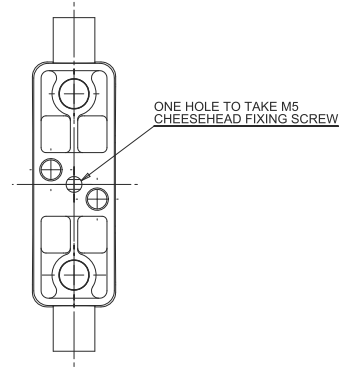
 <p>RS20H refer page 3</p>	 <p>RS20P/G refer page 3</p>	 <p>RS20PH/G refer page 4</p>	 <p>RS20F refer page 4</p>
 <p>RS32H refer page 5</p>	 <p>RS32P refer page 5</p>	 <p>RS32PH refer page 6</p>	 <p>RS63H refer page 6</p>
 <p>RS63P refer page 7</p>	 <p>RS63PH refer page 8</p>	 <p>RSH100H refer page 8</p>	 <p>RS100P refer page 9</p>
 <p>RS100PH refer page 9</p>	 <p>RS200H refer page 10</p>	 <p>RS200P refer page 10</p>	 <p>RS200PH refer page 11</p>
 <p>RS400H refer page 11</p>	 <p>RS400P refer page 12</p>	 <p>RS400PH refer page 12</p>	 <p>RSL63.. refer page 13 - 14</p>



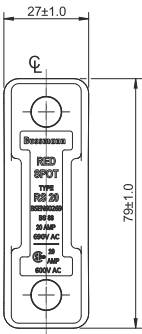
RS20H



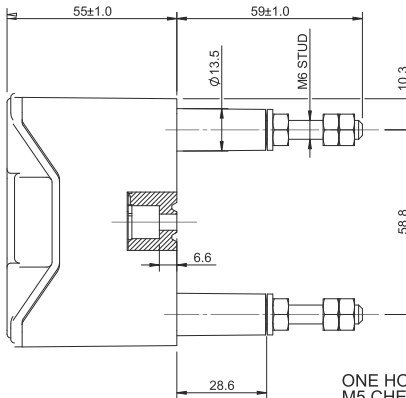
TERMINALS ACCOMMODATE CABLES UP TO 10 Sq.mm



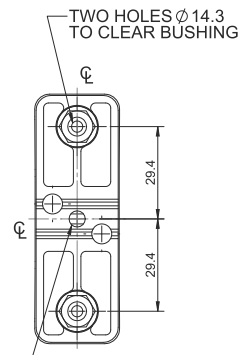
ONE HOLE TO TAKE M5 CHEESEHEAD FIXING SCREW



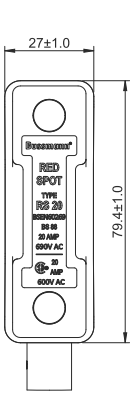
RS20P/G



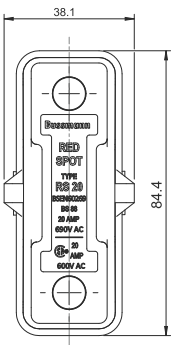
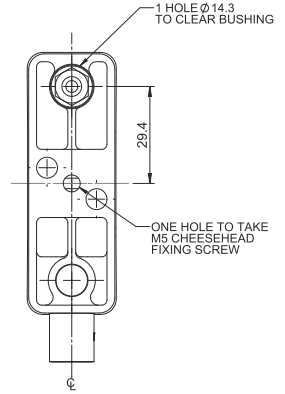
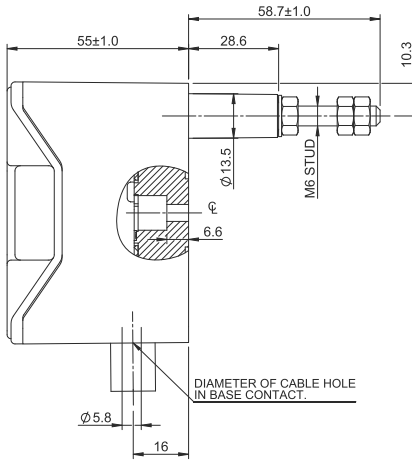
ONE HOLE TO TAKE M5 CHEESEHEAD FIXING SCREW



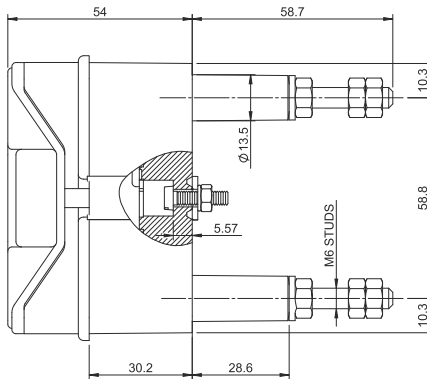
TWO HOLES Ø 14.3 TO CLEAR BUSHING



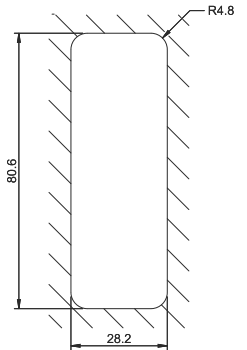
RS20PH/G



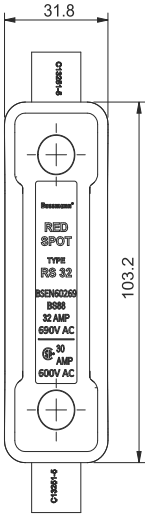
RS20F



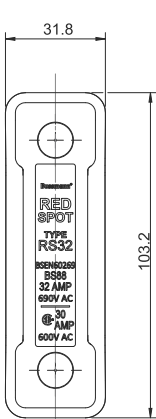
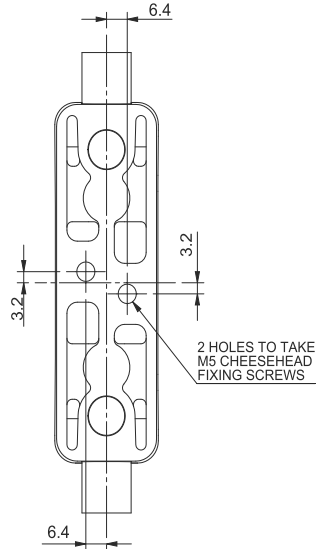
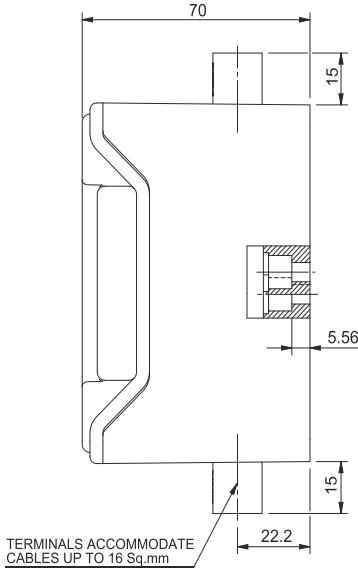
HOLE REQUIRED IN PANEL FOR FLUSH MOUNTING RS20F.



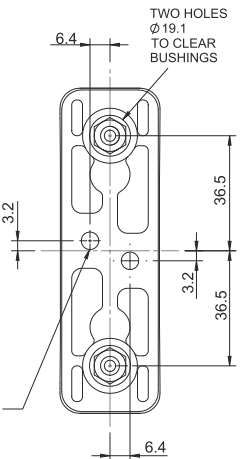
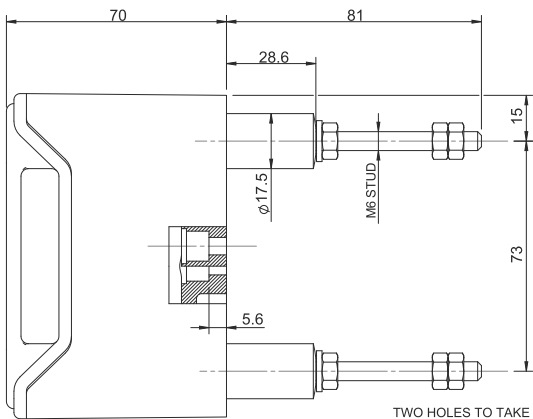
ONE MOULDING CLIP (LIST No. P67/10) IS SUPPLIED WITH EACH FLUSH MOUNTING CARRIER AND BASE TYPE RS20F.

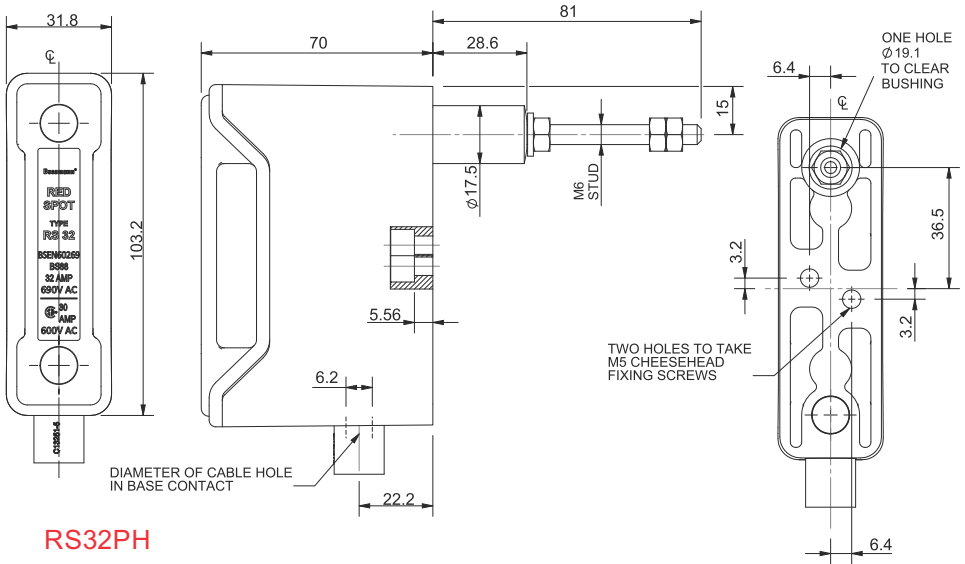


RS32H

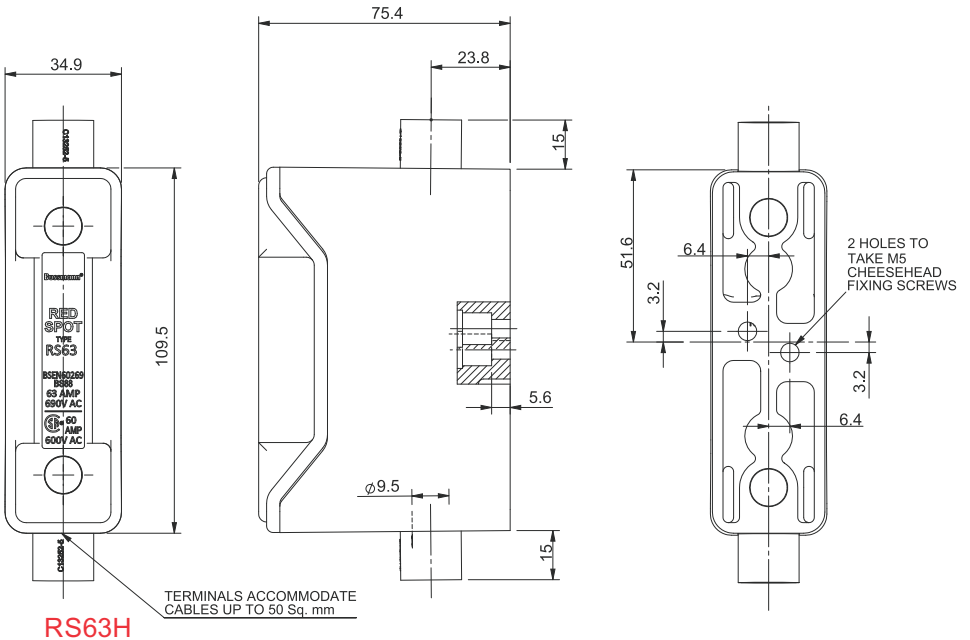


RS32P

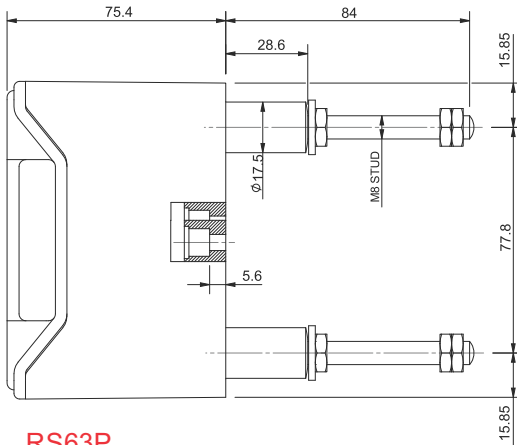
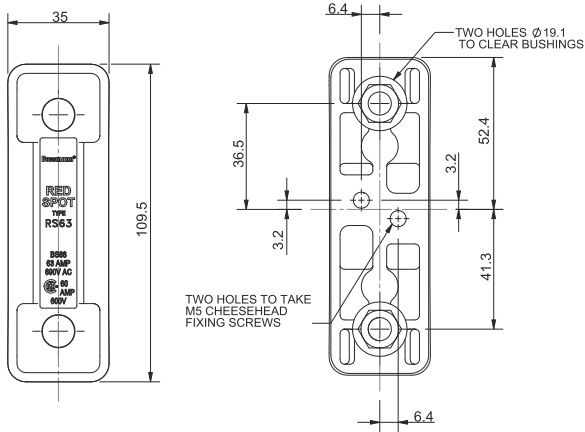




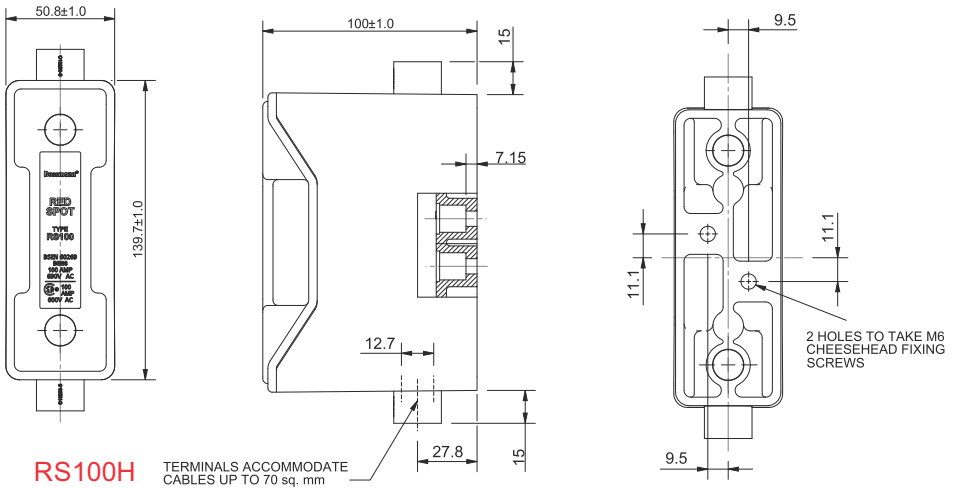
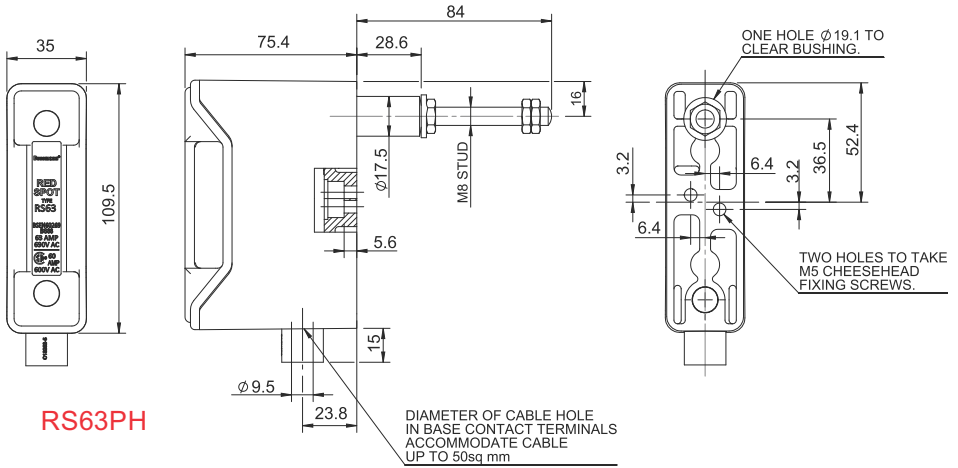
RS32PH

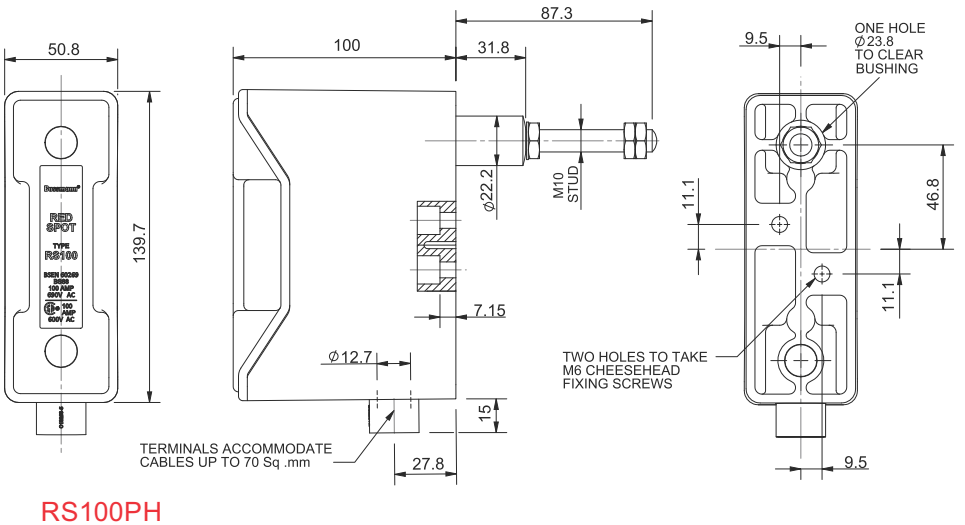
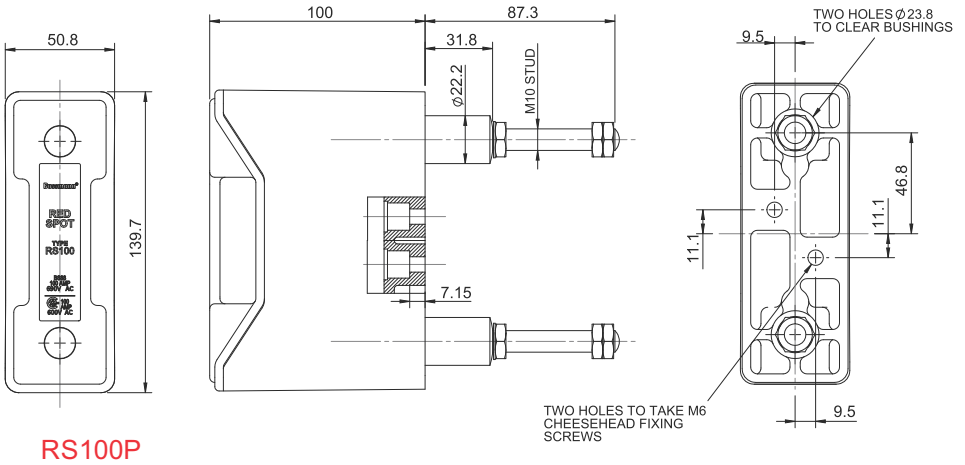


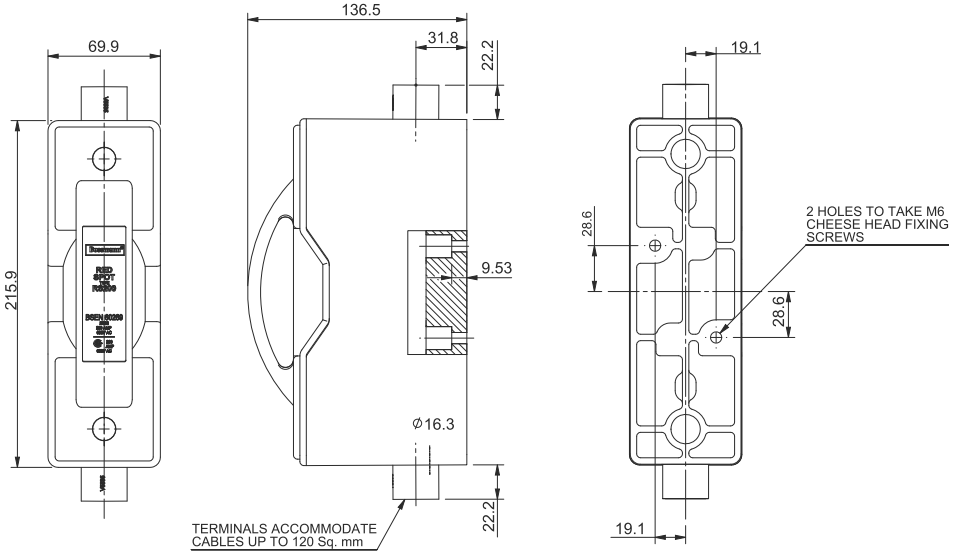
RS63H



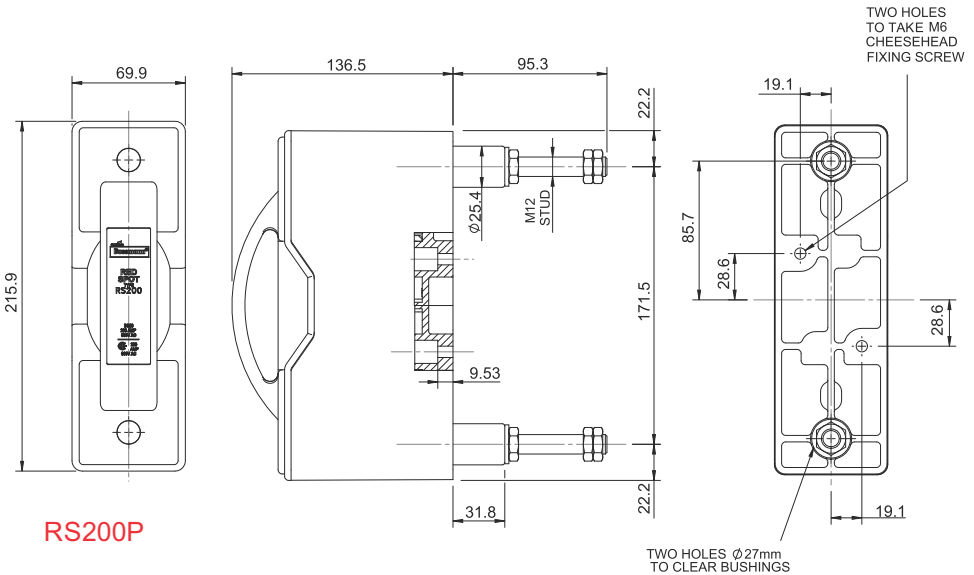
RS63P



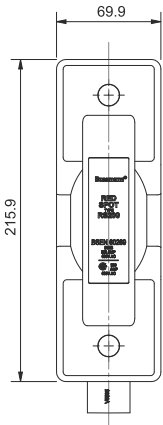




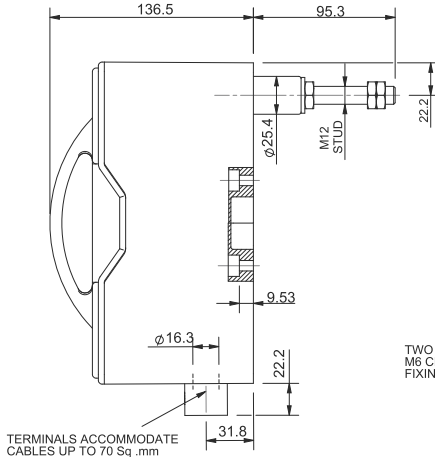
RS200H



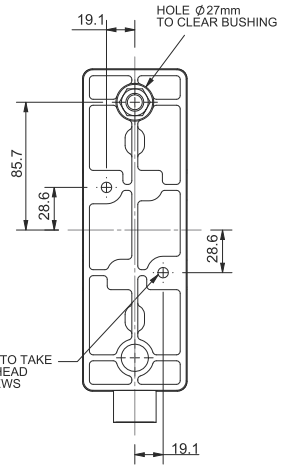
RS200P



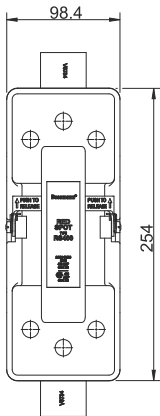
RS200PH



TERMINALS ACCOMMODATE CABLES UP TO 70 Sq. mm

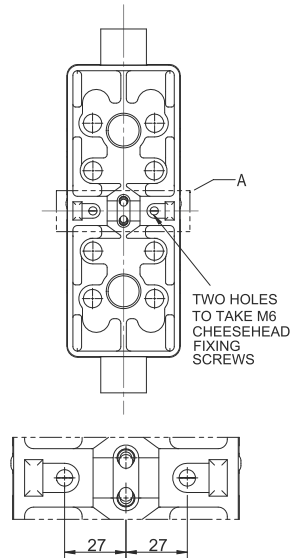
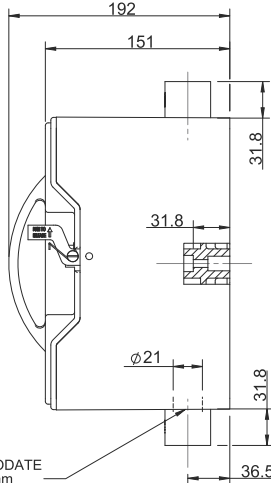


TWO HOLES TO TAKE M6 CHEESEHEAD FIXING SCREWS



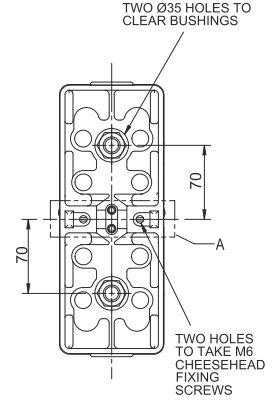
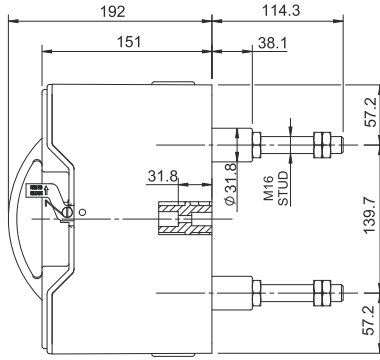
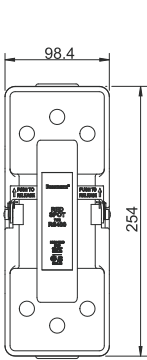
RS400H

TERMINALS ACCOMMODATE CABLES UPTO 240sq. mm

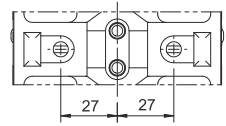


TWO HOLES TO TAKE M6 CHEESEHEAD FIXING SCREWS

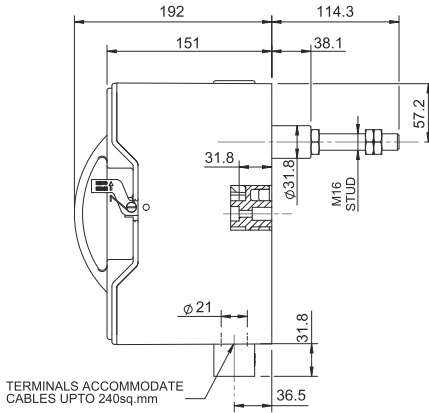
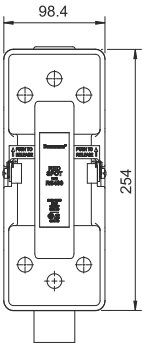
DETAIL A



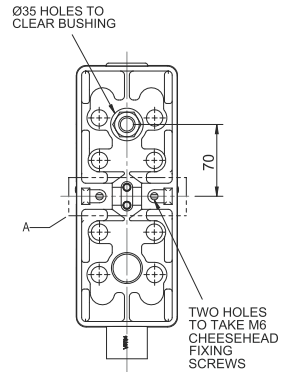
RS400P



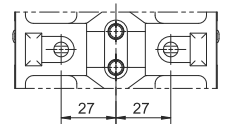
DETAIL A



TERMINALS ACCOMMODATE CABLES UPTO 240sq.mm



RS400PH



DETAIL A

Applications

- Short circuit and overload protection when used with T-C HRC fuse links.
- 1200VAC heating and lighting circuits (mining).
- Capacitor circuits.
- A.C. and D.C. motor circuits.
- Cable overload protection. T-C fuses with minimum fusing currents of 1.5-1-6In will protect cables (PVC insulated copper) when the fuse fitted equal to or less than the cable rating.
- Short circuit cable protection offered to PVC insulated copper cables i.e. $I2t = K2S2$, where I = current which causes fuse to operate in 5 seconds, t = 5 seconds, K = 115, S = conductor cross sectional area in mm².

Features and Benefits

- Fully Shrouded – Ensures complete personnel safety against live metal.
- Insulated Terminal Shrouds – Are fitted to front connected fuse bases provide increased protection at the cable entry point.
- Insulated Base Contacts Shrouds – Enables an outgoing circuit to with complete safety to personnel and with continuity of supply to other.
- Large Contact Area – Solid brass contacts ensure lasting contact pressure.
- Patented Non-twist Cable Clamping Screws – Ensures cable strands firmly clamped into position without damaging the cable strands.

Part Number	Connection Type	Fuse Rating	Suits Fuse Link
RSL63H	Front	63A	HD36, KC36, TAC & TSC Series
RSL63PH	Front/Rear Stud	63A	HD36, KC36, TAC & TSC Series
RSL63P	Rear Stud	63A	HD36, KC36, TAC & TSC Series

Rating: 63A

Voltage: 1200VAC / 750VDC

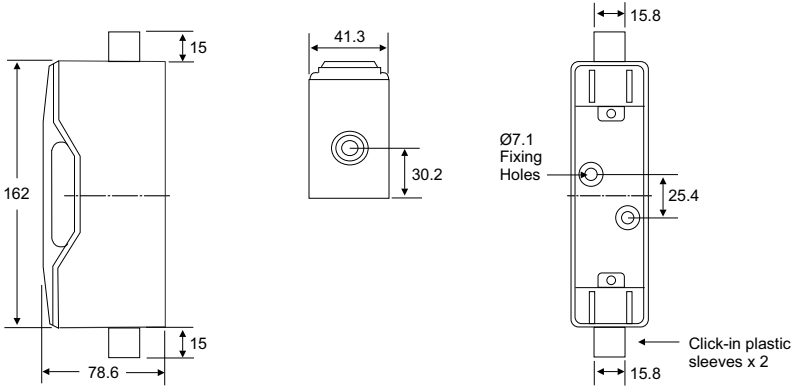
Mounting: Front / Back.

Cable Size Max: 50mm²

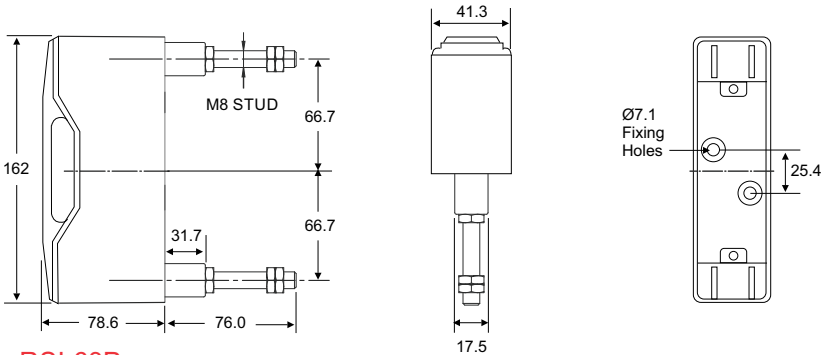
Approvals: ASI033, BS2692

RSL63H (Front Connected)

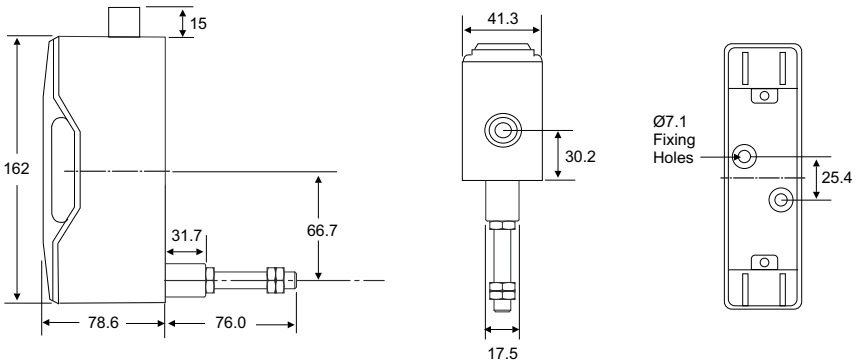




RSL63H



RSL63P



RSL63PH