

NH BLADE SEMICONDUCTOR FUSES 1000V

Bussmann
DIN 43620, Type aR

NEW

| Part Number | Ampere Rating | Body Size | Total I ² t at rated voltage |
|--------------|---------------|-----------|---|
| SWE-170M2673 | 20A | 00 | 110 |
| SWE-170M2674 | 25A | 00 | 210 |
| SWE-170M2675 | 32A | 00 | 390 |
| SWE-170M2676 | 35A | 00 | 500 |
| SWE-170M2677 | 40A | 00 | 760 |
| SWE-170M2678 | 50A | 00 | 1 550 |
| SWE-170M2679 | 63A | 00 | 2 750 |
| SWE-170M2680 | 80A | 00 | 5 900 |
| SWE-170M2681 | 100A | 00 | 11 500 |
| SWE-170M2682 | 125A | 00 | 22 000 |
| SWE-170M2683 | 160A | 00 | 45 000 |
| SWE-170M2684 | 200A | 00 | 86 500 |
| SWE-170M2685 | 225A | 00 | 115 000 |

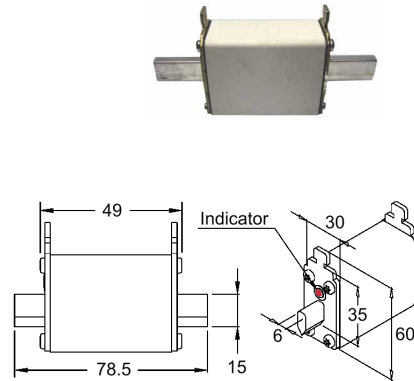
I.R.: 125kA at rated voltage

Voltage: 1000VAC (20A to 160A)
900VAC (200A to 225A)

Pack Size (box): 3

Holders: Fuse Bases (contact sales for details)

Approvals: IEC



Dimensions in MM

SEMICONDUCTOR

NH BLADE SEMICONDUCTOR FUSES 1000V

Prolec
Type gR/aR

| Part Number | Ampere Rating | Body Size | Type | Total I ² t at 1000V |
|-------------------|---------------|-----------|------|---------------------------------|
| SWE-0-GR020/1000V | 20A | 0 | gR | 100 |
| SWE-0-GR025/1000V | 25A | 0 | gR | 180 |
| SWE-0-GR032/1000V | 32A | 0 | gR | 340 |
| SWE-0-GR040/1000V | 40A | 0 | gR | 600 |
| SWE-0-GR050/1000V | 50A | 0 | gR | 1 100 |
| SWE-0-AR063/1000V | 63A | 0 | aR | 1 700 |
| SWE-0-AR080/1000V | 80A | 0 | aR | 3 300 |
| SWE-0-AR100/1000V | 100A | 0 | aR | 6 500 |
| SWE-0-AR125/1000V | 125A | 0 | aR | 14 000 |
| SWE-0-AR160/1000V | 160A | 0 | aR | 20 000 |

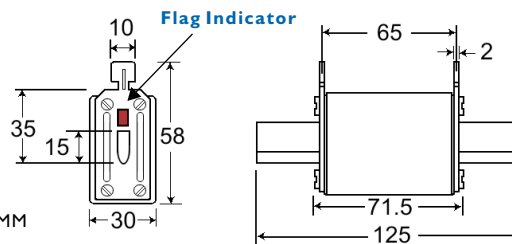
I.R.: 100kA at 1000V

Voltage: 1000VAC

Pack Size (box): 3

Holders: Please contact sales.

Approvals: IEC



Dimensions in MM