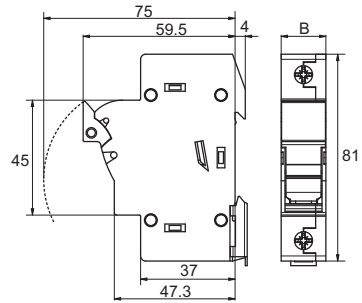


10.3 X 38.1MM DIN RAIL MOUNT FUSE CARRIERS



Part Number	Poles	Dimension B
002540001	1	17.5mm
002540002	1 + N	35mm
002540003	2	35mm
002540004	3	52.5mm
002540005	3 + N	70mm



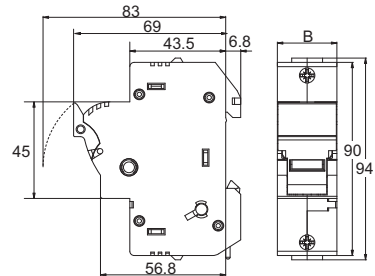
Dimensions in MM

Rating & Voltage: 32A 690VAC / 30A 600VDC
Utilization Category: AC22-B
Cable Size Max: 1-25mm² (AWG 18-8 Solid & Stranded, Cu only)
Features: Multi-pole versions can be assembled on site.
Optional Indicator: Either LED or NEON.
Mounting: DIN Rail.
Degree of Protection: IP20
Modular Feature: Clip / Pin kit required for extra pole assembly.
ETI Series: EFD 10 (upgrade of the VLC 10 series).
Approvals: IEC60947-1, IEC 60947-3

14 X 51MM DIN RAIL MOUNT FUSE CARRIERS



Part Number	Poles	Dimension B
002560001	1	27mm
002560002	1 + N	54mm
002560003	2	54mm
002560004	3	81mm
002560005	3 + N	108mm



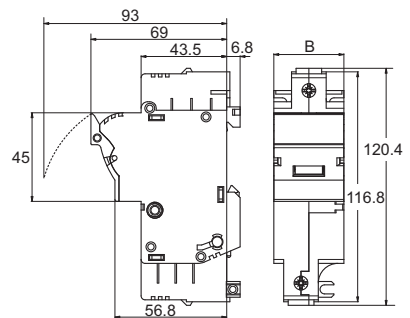
Dimensions in MM

Rating & Voltage: 50A 690VAC / 600VDC
Utilization Category: AC22-B (at 50A 690V IEC)
Cable Size Max: 1.5-35mm² (AWG 16-6 Solid & Stranded, Cu only)
Features: Multi-pole versions can be assembled on site.
Optional Indicator: LED.
Mounting: DIN Rail or with screws onto a flat base.
Degree of Protection: IP20
Modular Feature: Clip / Pin kit required for extra pole assembly.
ETI Series: EFD 14 (upgrade of the VLC 14 series).
Approvals: IEC60947-1, IEC60947-3

22 X 58MM DIN RAIL MOUNT FUSE CARRIERS



Part Number	Poles	Dimension B
002570001	1	35.6mm
002570002	1 + N	71.2mm
002570003	2	71.2mm
002570004	3	106.8mm
002570005	3 + N	142.4mm



Dimensions in MM

Rating & Voltage: 100A 690VAC / 600VDC
Utilization Category: AC21-B (at 100A 690V IEC)
Cable Size Max: 4-50mm² (AWG 12-2 Solid & Stranded Cu only)
Features: Multi-pole versions can be assembled on site.
Optional Indicator: LED.
Mounting: DIN Rail or with screws onto a flat base.
Degree of Protection: IP20
Modular Feature: Clip / Pin kit required for extra pole assembly.
ETI Series: EFD 22 (upgrade of the VLC 22 series).
Approvals: IEC60947-1, IEC60947-3

HOLDERS