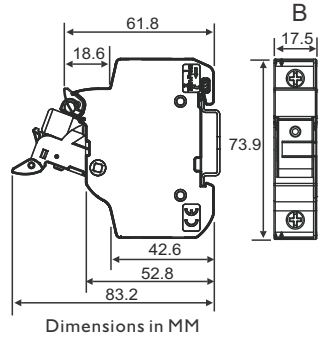


## 10.3 X 38.1MM DIN RAIL MOUNT FUSE CARRIERS

**EATON** Bussmann

Part Number	Poles	Dimension B
CHM1DU	1	17.5mm
CHM2DU	2	35mm
CHM3DU	3	52.5mm
JV-L	<4	Clip & Pin Kit

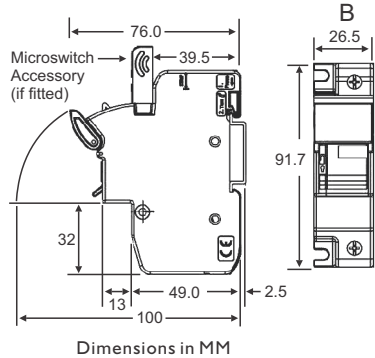


**Rating & Voltage:** 32A 690VAC / 30A 600VDC  
**Utilization Category:** AC22-B SCCR: 200kA RMS  
**Optional Indicator:** Open fuse indicator.  
**Degree of Protection:** IP20 Finger safe construction.  
**Modular Feature:** Toolless clip / pin kit for extra pole assembly.  
**Cable Size:** 1.0 - 25mm<sup>2</sup> (AWG 18-4 Solid, Stranded, Fine)  
**Terminals:** Single or dual conductors, comb busbar, terminal screws.  
**Lock Feature:** Inbuilt pad locking facility.  
**Mounting:** Toolless 35mm DIN Rail.  
**Clip & Pin Kit:** JV-L (3 bars & 6 clips). Gangs up to 4 poles.  
**Approvals:** IEC 60269-2 IEC

## 14 X 51MM DIN RAIL MOUNT FUSE CARRIERS

**EATON** Bussmann

Part Number	Poles	Dimension B
CH141DU	1	26.5mm
CH142DU	2	53mm
CH143DU	3	79.5mm
JV-L	<4	Clip & Pin Kit

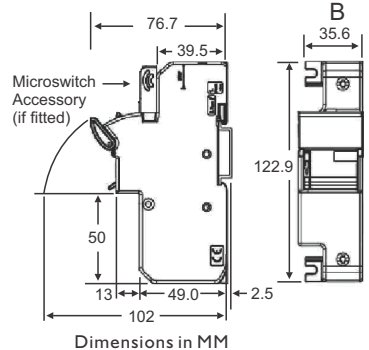


**Rating:** 50A  
**Voltage:** 690VAC / 750VDC (IEC), 700VAC (UL)  
**SCCR:** 120kA AC, 10kA DC (PV only)  
**Cable Size:** 2.0 - 10mm<sup>2</sup>  
**Degree of Protection:** IP20 Finger safe construction.  
**Optional Indicator:** Open fuse indicator.  
**Microswitch CH141:** CH14-SPS, 1 n/o + 1 n/c changeover type.  
**Microswitch CH143:** CH14-TPS, 1 n/o + 1 n/c changeover type.  
**Lock Feature:** Inbuilt pad locking facility.  
**Mounting:** Toolless 35mm DIN Rail or 2 x M4 panel mounting screws.  
**Modular Feature:** Toolless clip / pin kit for extra pole assembly.  
**Clip & Pin Kit:** JV-L (3 bars & 6 clips). Gangs up to 4 poles.  
**Approvals:** IEC 60269-2 IEC

## 22 X 58MM DIN RAIL MOUNT FUSE CARRIERS

**EATON** Bussmann

Part Number	Poles	Dimension B
CH221DU	1	35.6mm
CH222DU	2	71.2mm
CH223DU	3	106.8mm
JV-L	<4	Clip & Pin Kit



**Rating:** 125A (IEC), 100A (UL)  
**Voltage:** 690VAC / 1000VDC (IEC), 700VAC (UL)  
**SCCR:** 120kA AC, 50kA DC  
**Cable Size CU Only:** 2.5 - 35mm<sup>2</sup>  
**Degree of Protection:** IP20 Finger safe construction.  
**Optional Indicator:** Open fuse indicator.  
**Microswitch CH221:** CH22-SPS, 1 n/o + 1 n/c changeover type.  
**Microswitch CH223:** CH22-TPS, 1 n/o + 1 n/c changeover type.  
**Mounting:** Toolless 35mm DIN Rail or 2 x M4 panel mounting screws.  
**Lock Feature:** Inbuilt pad locking facility.  
**Modular Feature:** Toolless clip / pin kit for extra pole assembly.  
**Clip & Pin Kit:** JV-L (3 bars & 6 clips). Gangs up to 4 poles.  
**Approvals:** IEC60269-2 IEC

HOLDERS