

These fuse bases can be joined with optional ganging links to create 2 or 3 pole bases. An IP20 protection kit is also available for 3 pole bases. It can also be used on 1 pole base.

Base Only Part Number	Fuse Size	Amp Rating	Voltage (VAC)	Voltage (VDC)	Open Base Description	Mounting Options	IP20 Protect. Kit Part Number
SD1-D	1	250A	690V	-	1 Pole	35mm DIN Rail / Screw	Contact Sales
TD1-D	1	250A	690V	-	3 Pole	35mm DIN Rail / Screw	TD1-IP20
SD1-D-PV	1	250A	690V	1500V	1 Pole	35mm DIN Rail / Screw	Contact Sales
SD2-D	2	400A	690V	-	1 Pole	35mm DIN Rail / Screw	Contact Sales
TD2-D	2	400A	690V	-	3 Pole	35mm DIN Rail / Screw	TD2-IP20
SD2-D-PV	2	400A	690V	1500V	1 Pole	35mm DIN Rail / Screw	Contact Sales
SD3-D	3	630A	690V	-	1 Pole	35mm DIN Rail / Screw	Contact Sales
TD3-D	3	630A	690V	-	3 Pole	35mm DIN Rail / Screw	TD3-IP20
SD3-D-PV	3	630A	690V	1500V	1 Pole	35mm DIN Rail / Screw	Contact Sales
SD4-S	4	1250A	690V	-	1 Pole	Screw Mount only	Not Available
SD4-SI600	4	1600A	690V	-	1 Pole	Screw Mount only	Not Available

IP20 Kit Part Number	Fuse Size Base Size	The 3 Pole TDx-IP20 Kit Includes:
TD1-IP20	1	2 x Outer Phase Barriers, 2 x Ganging Links, 6 x Terminal & 3 x Fuse Covers.
TD2-IP20	2	2 x Outer Phase Barriers, 2 x Ganging Links, 6 x Terminal & 3 x Fuse Covers.
TD3-IP20	3	2 x Outer Phase Barriers, 2 x Ganging Links, 6 x Terminal & 3 x Fuse Covers.

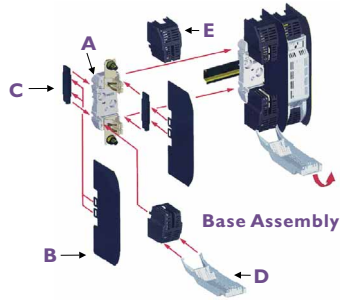
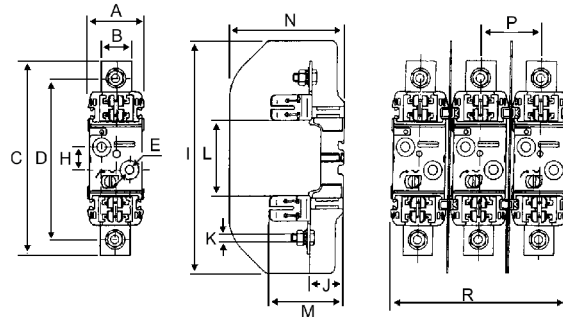
Base: Thermoplastic base highly temperature resistant and self-extinguishable.
Contacts: Silver plated copper. Size NH3 base features double fuse contact clips (also available for size NH2 base, please contact sales).
Pack Size (box): Contact sales for further information.
IP Rating: IP20 when optional protection kit is installed.
Ganging Links: Contact sales if you wish to order optional ganging links.
Phase Barrier: 1 x phase barrier is included with each ganging link.
Options: IP20 protection kit (below), Neutral links (p85), NH fuse extractor (p150), Microswitch 170H0236 (p148).
Vibration: Tested to IEC 60068-2-6 for marine use.
Suit Fuses: NH Sizes 1 to 4 (p83-85), NH PV Sizes 1 to 3 (p66).
Approvals: IEC 60269-1 & 2, VDE 0636-1 & 2
Notes: NH4 bases not suitable for NH Size 4A full blade fuses. Fuses are not included.



Single Base with Fuse Installed



TDx-IP20 Kit Installed Triple Pole Base



Base Assembly
A = Open Base
B = Phase Barrier
C = Ganging Link
D = Fuse Cover
E = Terminal Cover

Fuse Size	A	B	C	D	E	H	I	J	K	L	M	N	P	R
NH1	56	35	199	175	10	25	245	37	M10x25	79	78	125.5	66	188
NH2	56	35	224	199	10	25	245	37.5	M10x25	79	86	125.5	66	188
NH3	56	36	239	209	10	25	260	37.5	M12x30	82	88	137.5	82.5	221
NH4	Please contact sales for dimensions													