

NH PV SIZE 1 FUSE DISCONNECTOR

ETI

Part Number	Description
4122038	Single pole fuse disconnector

Voltage: 1000VDC

Rating: 160A

Suit Fuse: PV-(amp)ANH1 (p66)

Cable Size: 25mm² to 240mm²

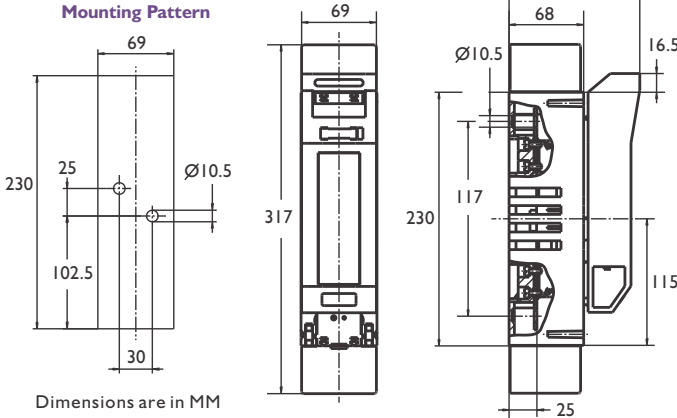
Mounting: Screw mount (vertical or horizontal)

Ingress Protection: IP20, IP10 (front side device fitted)

Overvoltage Category: III

Utilization Category: DC-20B

Notes: Fuse not included.



Fuse PV NH1

Fuse Disconnector

NH PV SIZE 01XL, 1XL, 2XL & 3L FUSE BASE

Eaton Bussmann
Screw Mount Bases

XL Fuse Bases 1500V With Integrated Shields

NEW

Part Number	Fuse Body Size	Rating	Power Acceptance
SB1XL-S	01XL, 1XL	250A	56 Watts
SB2XL-S	2XL	400A	70 Watts
SB3L-S	3L	630A	96 Watts

Voltage: 1500VDC

Fuse Clips: Silver plated copper.

Flammability Rating: Base: UL 94 V2. Shields: UL 94 V0.

IP Rating: IP20 with terminal shields & gripping lug cover fitted.

Terminal Torque: 32Nm.

Mounting: Panel, Screw mount.

Suit Fuse: PV full blade XL size fuses (p67).

Fuse Extraction Handle: # FEH-1500 (p150).

Notes: Fuse not included.

Approvals: IEC 60269-1, UL & CSA pending.



Fuses
PV NH XL Size

Fuse Base
With Integrated Shields

Scan this
QR Code
for more
information



QR Code: 7012



Email: sales@swe-check.com.au
Web: www.swe-check.com.au

Phone: +61 3 9521 6133
Fax: +61 3 9521 6177