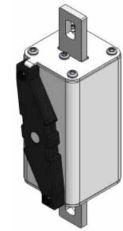


Bussmann XL fuse links are specifically designed to protect and isolate photovoltaic array combiners and disconnects. These fuse links are capable of interrupting low overcurrents associated with faulted PV systems (reverse current, multi-array fault).

Full Blade Part Number	Bolted Tag Part Number	Ampere Rating	Body Size	Voltage VDC	Total I ² t at 1500V
PV-50A-01XL-15	PV-50A-01XL-B-15	50A	01XL	1500	1 000
PV-63A-01XL-15	PV-63A-01XL-B-15	63A	01XL	1500	2 250
PV-80A-01XL-15	PV-80A-01XL-B-15	80A	01XL	1500	3 300
PV-100A-01XL-15	PV-100A-01XL-B-15	100A	01XL	1500	6 600
PV-125A-01XL-15	PV-125A-01XL-B-15	125A	01XL	1500	10 500
PV-160A-01XL-12	PV-160A-01XL-B-12	160A	01XL	1200	24 000
PV-100A-1XL-15	PV-100A-1XL-B-15	100A	1XL	1500	6 000
PV-125A-1XL-15	PV-125A-1XL-B-15	125A	1XL	1500	9 360
PV-160A-1XL-15	PV-160A-1XL-B-15	160A	1XL	1500	20 160
PV-200A-1XL-15	PV-200A-1XL-B-15	200A	1XL	1500	45 120
PV-125A-2XL-15	PV-125A-2XL-B-15	125A	2XL	1500	15 000
PV-150A-2XL-15	PV-150A-2XL-B-15	150A	2XL	1500	32 000
PV-200A-2XL-15	PV-200A-2XL-B-15	200A	2XL	1500	51 000
PV-250A-2XL-15	PV-250A-2XL-B-15	250A	2XL	1500	85 000
-	PV-125A-2XL-3B-15*	125A	2XL	1500	15 000
-	PV-160A-2XL-3B-15*	160A	2XL	1500	32 000
-	PV-200A-2XL-3B-15*	200A	2XL	1500	51 000
-	PV-250A-2XL-3B-15*	250A	2XL	1500	85 000
PV-250A-3L-15	PV-250A-3L-B-15	250A	3L	1500	263 000
PV-315A-3L-15	PV-315A-3L-B-15	315A	3L	1500	533 000
PV-355A-3L-15	PV-355A-3L-B-15	355A	3L	1500	693 000
PV-400A-3L-15	PV-400A-3L-B-15	400A	3L	1500	1 060 000
PV-500A-3L-15	PV-500A-3L-B-15	500A	3L	1500	1 890 000



Full Blade Includes a Top Flag Indicator



Bolted Tag Includes Trigger Indicator & Microswitch Adapter

Full Blade Specifications

I.R.: 30kA
Characteristic: Type gPV, Very Fast Acting
Pack Size: 1
Microswitch (Type T): 170H0235 (01XL), 170H0236 (1XL, 2XL & 3L) (p148)
Holders: SB1XL-S (size 01XL & 1XL) (p141)
 SB2XL-S (size 2XL) (p141)
 SB3L-S (size 3L) (p141)
Fuse Extraction Handle: # FEH-1500. (p150).
Approvals: 2579 (File Nbr E335324), IEC 60269-6

Bolted Tag Specifications

I.R.: 30kA
Characteristic: Type gPV, Very Fast Acting
Pack Size: 1
Microswitch: 170H0069 (all fuse sizes) (p148)
Holders: (size 01XL & 1XL) (size 2XL) (size 3L)
Notes: *These size 2 fuses have the same bolting pattern as the size 3 fuses.
Approvals: 2579 (File Nbr E335324), IEC 60269-6

RELATED PRODUCTS:



Microswitch Suit Bladed Tag
 # 170H0235 & 170H0238



Microswitch Suit Bolted Tag
 # 170H0069



Fuse Extraction Handle
 # FEH-1500



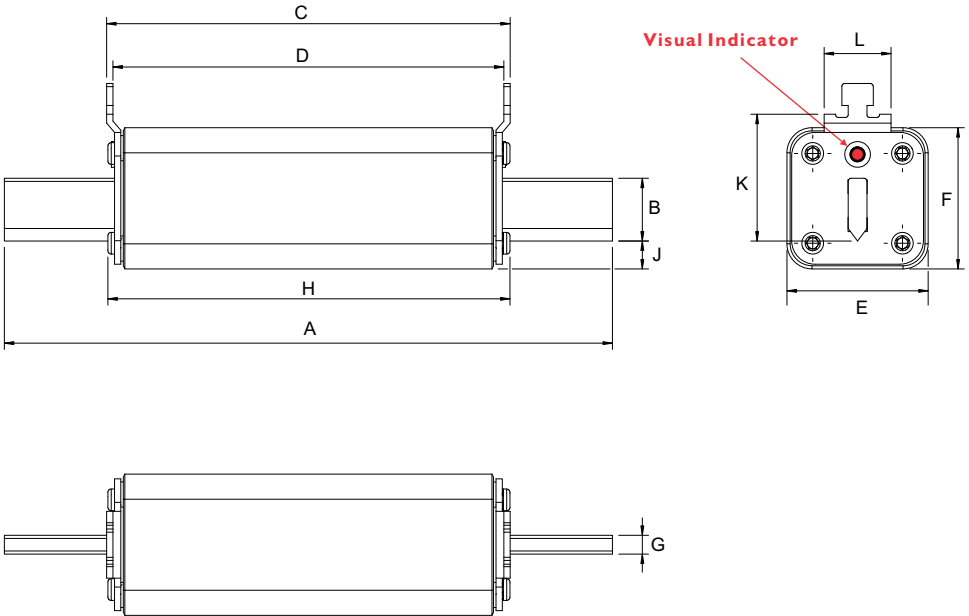
Bladed Fuse Base
 NH PV XL Fuse Bases



Bolted Tag Fuse Base
 PV XL-B Fuse Bases

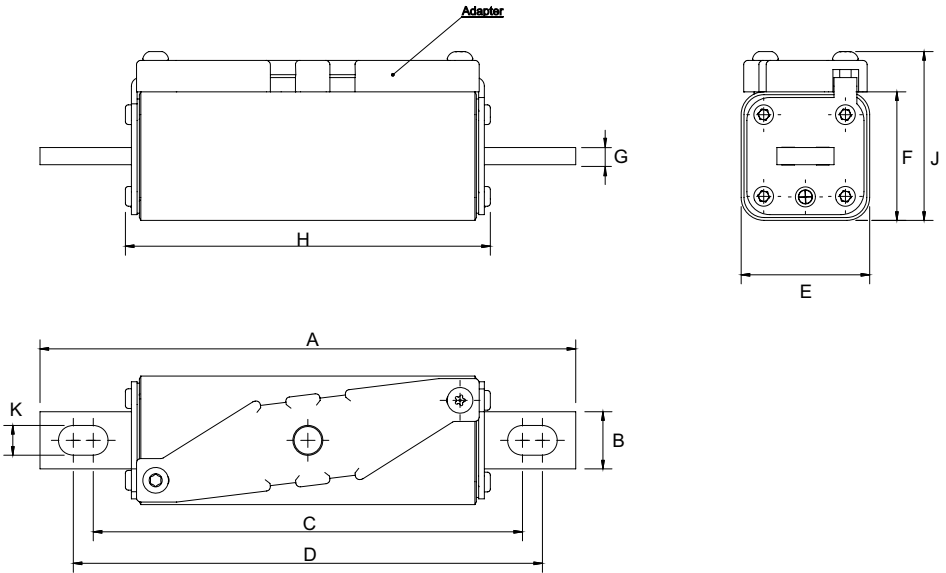
*To be confirmed.

Dimensions for Full Blade Fuse (sizes 01XL to 3L)



Body		Dimensions in MM								
Size	A	B	C	D	E	F	G	H	J	K
01XL	189	20	127	120	47	47	6	129	9	40
1XL	189	20	124	120	52	52	6	128	-	41
2XL	205	25	123	117	60	61	6	130	17	48
3L	205	32	122	118	75	75	6	127	18	61

Dimensions for Bolted Tag Fuse (sizes 01XL to 3L)



Body Size	Dimensions in MM									
	A	B	C	D	E	F	G	H	J	K
01XL	187	20	150	164	45	45	6	131	60	10.5
1XL	182	20	145	159	51	51	6	130	68	10.5
2XL	190	25	154	167	59	59	6	130	76	10.5
2XL-3B	201	25	170	-	59	59	6	130	76	10.5
3L	201	30	171	-	74	74	6	131	91	10.5