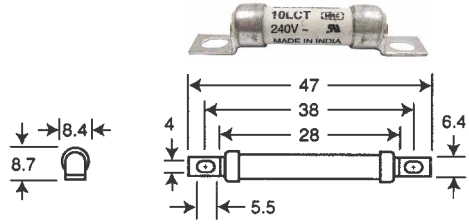


BRITISH HIGH SPEED FUSES 240V

Bussmann

Part Number	Ampere Rating
6LCT	6A
10LCT	10A
12LCT	12A
16LCT	16A
20LCT	20A

I.R.: 200kA at 240VAC **Voltage:** 240VAC / 150VDC
Characteristic: Type aR, Very Fast Acting
Pack Size: 1, 10
Approvals: BS88-4 IEC  





Dimensions in MM

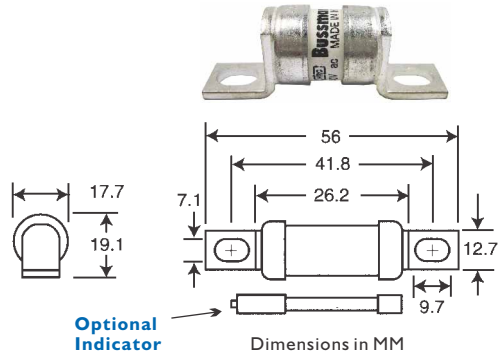
BRITISH HIGH SPEED FUSES 240V

Adler

Bussmann

Bussmann Part Number	Adler Part Number	Ampere Rating
10LET	-	10A
12LET	-	12A
16LET	-	16A
20LET	-	20A
25LET	AG02250200	25A
32LET	-	32A
35LET	-	35A
-	AG02400200	40A
50LET	AG02500200	50A
63LET	AG02630200	63A
80LET	AG02800200	80A
100LET	AG03100200	100A
125LET	AG03125200	125A
160LET	AG03160200	160A
180LETA	AG03180200	180A

I.R.: 200kA at 240VAC **Voltage:** 240VAC / 150VDC
Characteristic: Type aR, Very Fast Acting
Pack Size: 1, 10
Holders: Blocks (p134-136)
Indicator & Microswitch Options: (p48)
Approvals: BS88-4 IEC  



Dimensions in MM

RELATED PRODUCTS



Enclosed Fuse Block
(page 134)



Modular Fuse Blocks
(page 135-136)

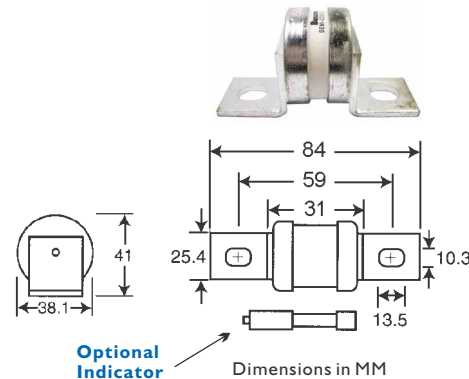
BRITISH HIGH SPEED FUSES 240V

Adler

Bussmann

Bussmann Part Number	Adler Part Number	Ampere Rating
160LMT	-	160A
200LMT	-	200A
250LMT	AG23250200	250A
315LMT	AG23315200	315A
355LMT	-	355A
400LMT	AG23400200	400A
450LMT	-	450A

I.R.: 200kA at 240VAC **Voltage:** 240VAC / 150VDC
Characteristic: Type aR, Very Fast Acting
Pack Size: 1, 10
Holders: Blocks (p135-136)
Indicator & Microswitch Options: (p48)
Approvals: BS88-4 IEC  



Dimensions in MM