

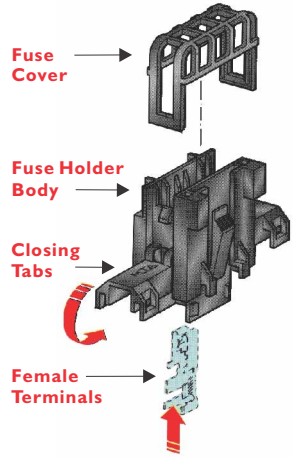
Part Number	Fuse Holder Kits Include:	Pack Size	
00400K1	00400, 00415, 00430 & 2 x 07920BK	1	NEW
00400K2	00400, 00415, 00430 & 2 x 07930BK	1	NEW
00400K3	00400, 00415, 00430 & 2 x 07940BK	1	NEW

Part Number	Individual Component Ordering	Pack Size
00400	Fuse holder body black PA 66	1, 10, 100
00415	Fuse holder cover black PA 66	1, 25, 100
07900BK	Terminal 0.5 to 1.5mm ² 14A (RL*)	10, 20, 100
07912RL	Terminal 2 to 3mm ² 20A (RL)	10, 9000
07901BK	Terminal 4 to 6mm ² 37A (RL*)	10, 20, 100
07920BK	Terminal 0.5 to 1.5mm ² + Clip 14A (RL*)	10, 20, 100
07930BK	Terminal 2 to 3mm ² + Clip 20A (RL*)	10, 20, 100
07940BK	Terminal 4 to 6mm ² + Clip 37A (RL*)	10, 20, 100
00392	Fixing plate snap mount	1, 10, 100
00430	Fixing plate single screw, M5	1, 10, 100
00440	Fixing plate dual screw, M5	1, 10, 100

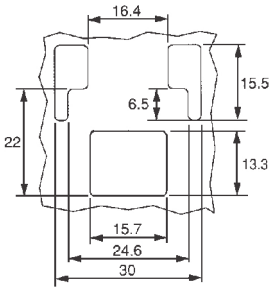
Terminal Options: BK = Bulk pack, RL = *Reel Pack MOQ applies.

Accessories: Snap lock fixing plate and bracket accessories.

Features: Gangable. Lateral fixing. **Approvals:** RoHS

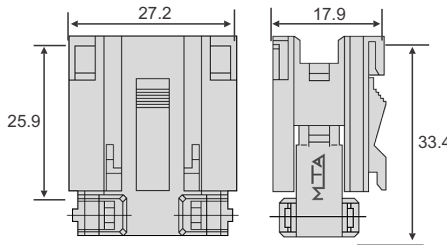


Lateral Fixing Plate



Sp. 0.6 + 1.3mm

Fuse Holder Body



Dimensions in MM



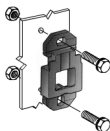
Ganged Fuse Holders



Fixing Plate (Single)



Fixing Plate (Double)



Fixing Plate (Snap Mount)



Terminal (Standard)



Terminal (With Clip)



RELATED PRODUCTS:



Auto Fuses



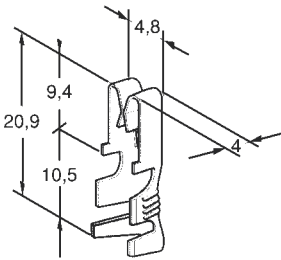
LED Auto Fuses



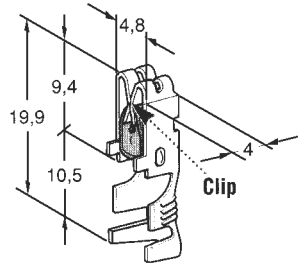
Snap locks to other MTA products such as:
 In-line Auto Fuse Holders.
 In-Line Maxi Fuse Holders.
 Single Relay Holders.
 Auto Fuse Modular Block.
 Relay Modular Block.
 Four Way Module Frame.

Autofuse Terminals

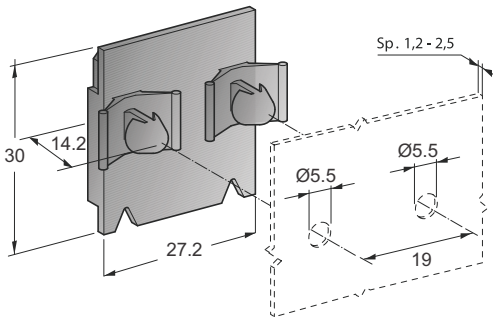
07900
07901
07902



07920
07930
07940

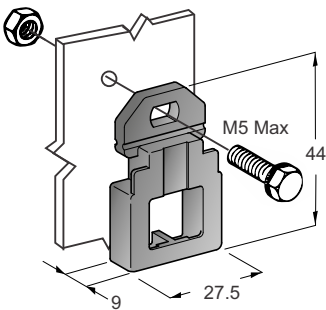


00392



Dimensions in MM

00430



00440

