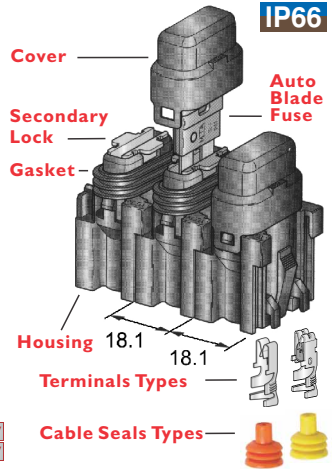


AUTO FUSE IN-LINE HOLDERS SPLASH PROOF

Part Number	Fuse Holder Kits Include:	Pack Size	
50153K	02330, 00392 & 2 x 07920BK.	1	NEW
50153K1	02330, 00392, 2 x 07920BK & 2 x 4507770.	1	NEW
50153K2	02330, 00392, 2 x 07930BK & 2 x 4507771.	1	NEW
02330K1	02330, 00430, 2 x 07920BK & 2 x 4507770.	1	NEW
02330K2	02330, 00430, 2 x 07930BK & 2 x 4507771.	1	NEW
02330K3	02330, 00430, 2 x 07940BK & 2 x 4507771.	1	NEW

Part Number	Individual Component Ordering	Pack Size	
02330	Housing w/secondary lock, gasket & cover	1, 10, 100	
07900BK	Terminal 0.5 to 1.5mm ² 14A (RL*)	10, 20, 100	
07912RL	Terminal 2 to 3mm ² 20A (RL)	10, 9000	
07901BK	Terminal 4 to 6mm ² 37A (RL*)	10, 20, 100	
07920BK	Terminal 0.5 to 1.5mm ² + Clip 14A (RL*)	10, 20, 100	
07930BK	Terminal 2 to 3mm ² + Clip 20A (RL*)	10, 20, 100	
07940BK	Terminal 4 to 6mm ² + Clip 37A (RL*)	10, 20, 100	
4507770	Cable seal for 0.5 - 1.5 mm ² wire, orange	10, 100	
4507771	Cable seal for 2.0 - 3.0 mm ² wire, yellow	10, 100	
00392	Fixing plate snap mount	1, 10, 100	
00430	Fixing plate single screw, M5	1, 10, 100	
00440	Fixing plate dual screw, M5	1, 10, 100	
00697	Mounting bracket slide lock male	1, 10, 100	NEW
00698	Mounting bracket slide lock female	1, 10, 100	NEW



Body: Black PA 66 **Terminal Options:** BK = Bulk pack, RL = *Reel Pack MOQ applies.

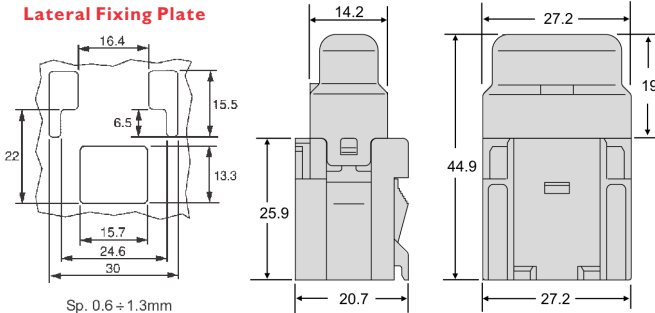
Cable Seal: Self lubricating silicone rubber.

Ingress Protection Rating: IP66 (Valid when properly installed with components).

Features: Gangable. Lateral fixing. **Accessories:** Snap lock fixing plate & bracket accessories.

Notes: Secondary lock available in various colours to match fuse colour identification.

Approvals: [RoHS](#)



Rear of Holder

Dimensions in MM



- Snap locks to other MTA products such as;
 - In-line Auto Fuse Holders.
 - In-Line Maxi Fuse Holders.
 - Single Relay Holders.
 - Auto Fuse & Relay Modular Blocks.
 - Four Way Module Frame.



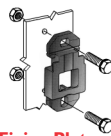
RELATED PRODUCTS:



Auto Fuses LED Auto Fuses



Fixing Plate (Single)



Fixing Plate (Dual)



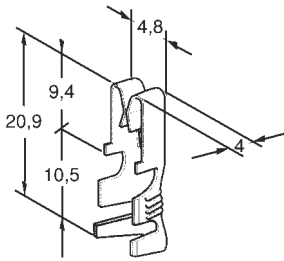
Fixing Plate (Snap Mount)



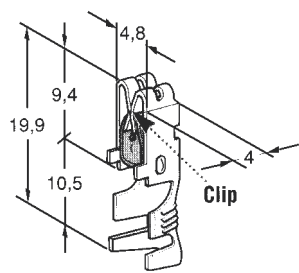
Mounting Brackets (M/F)

Autofuse Terminals

07900
07901
07902

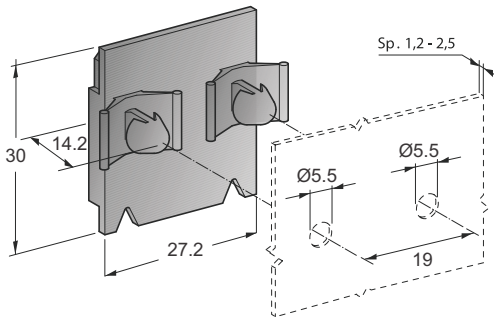


07920
07930
07940

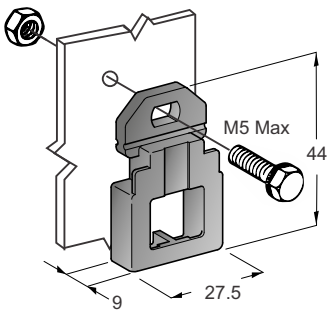


mensions in MM

00392



00430



00440

