

MAXI FUSE IN-LINE HOLDERS



| Part Number | Fuse Holder Kits Include; | Pack Size | |
|-------------|-----------------------------------|-----------|------------|
| 01001K | 00390, 00391, 00430 & 2 x 07650BK | 1 | NEW |
| 01001K2 | 00390, 00391, 00430 & 2 x 07660BK | 1 | NEW |
| 01001K3 | 00390, 00391, 00430 & 2 x 07670BK | 1 | NEW |

| Part Number | Individual Component Ordering | Pack Size |
|-------------|--|-------------|
| 00390 | Fuse holder body black PA66 w/lock | 1, 10, 100 |
| 00391 | Clear fuse cover | 1, 10, 100 |
| 07650BK | Terminal 1.5 to 2.5mm ² 20A (RL*) | 10, 20, 100 |
| 07660BK | Terminal 4 to 6mm ² 36A (RL*) | 10, 20, 100 |
| 07670BK | Terminal 8 to 10mm ² 50A (RL*) | 10, 20, 100 |
| 07671BK | Terminal 16mm ² 75A (RL) | 10, 20, 100 |
| 00392 | Fixing plate snap mount | 1, 10, 100 |
| 00430 | Fixing plate single screw, M5 | 1, 10, 100 |
| 00440 | Fixing plate dual screw, M5 | 1, 10, 100 |

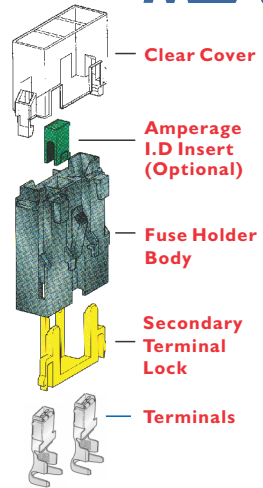
Terminals Options: BK = Bulk Pack, RL = Reel Pack

Accessories: Optional I.D inserts - colour coded with rating embossed.

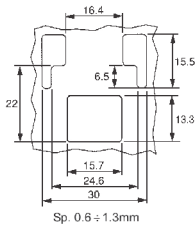
Features: Gangable, lateral fixing & snap lock fixing plate accessories.

Note: Fuse is not included with this holder.

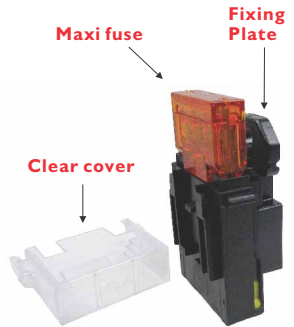
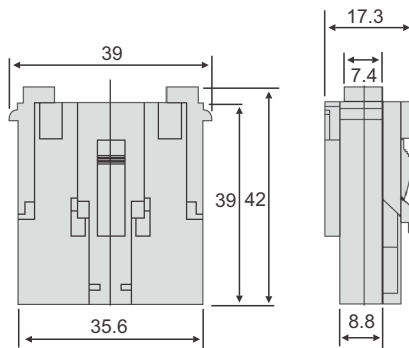
Approvals: RoHS



Lateral Fixing Plate



Dimensions in MM

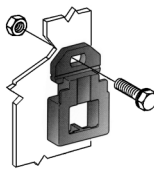


RELATED COMPONENTS

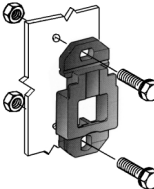
Maxifuses



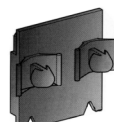
Fixing Plate (Single)



Fixing Plate (Double)



Fixing Plate (Snap Mount)

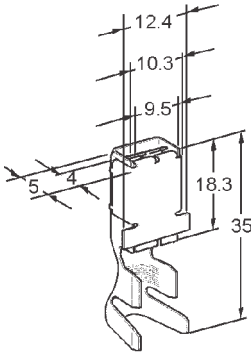


Terminal

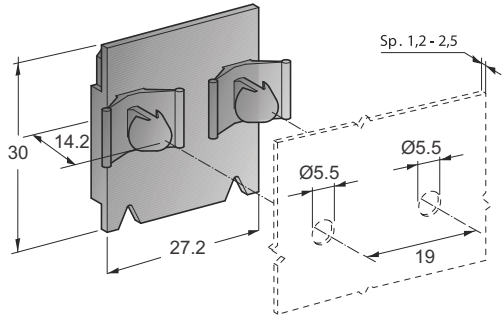


Maxifuse Terminals

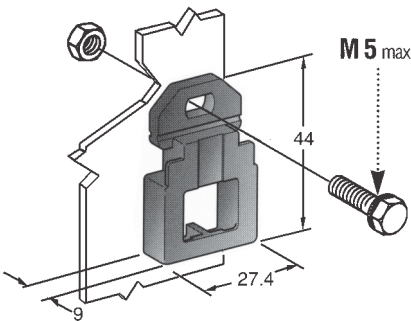
07650
07660
07670
07671



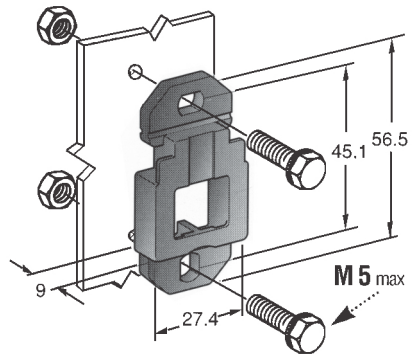
00392



00430



00440



Dimensions in MM