

Create a new fuse protected circuit by tapping into an existing fuse circuit. Perfect for adding accessories. Simply plug the add a circuit holder into an existing energized fuse-block slot and insert the original fuse into slot (A) to continue protecting the original circuit. Finally insert a new fuse into slot (B) to protect the new accessory circuit powered by the included lead.

Tap Only Bulk Pack

Part Number	Part Number	Suits Blade Fuse Type
FHC200	FHC200K	Micro2 / ATR 32V
FHL200	FHL200K	Low Pro Mini / LP ATM 58V
FHM200	FHM200K	Mini / ATM 32V
FHA200	FHA200K	Auto / ATC 32V
FHD200	FHD200K	Micro3 / ATL 32V

Tap & Fuse Kit Retail Clam Shell



(Micro2 Fuse) FHC200

Rating: 10A max installation rating.

Wire: 1mm² #16AWG red wire.

Terminal: Hardened brass crimp-type coupler.

Tap Only Bulk Pack: Includes Fuse Tap Only. No Fuses.

Tap & Fuse Kit Packaging: Includes Add-a-circuit & 3 spare fuses.

Ratings included are 5A, 7.5A & 10A.

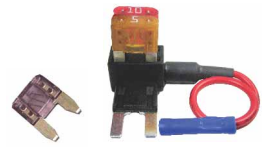
Important Note: Please ensure the gauge of the cable powering the original fuse is suitable for the additional current draw of the new circuit.

Pack Size: 1, 10, 100, 500, 1000

Approvals:



(Low Pro Mini Fuse) FHL200



(Mini Fuse) FHM200

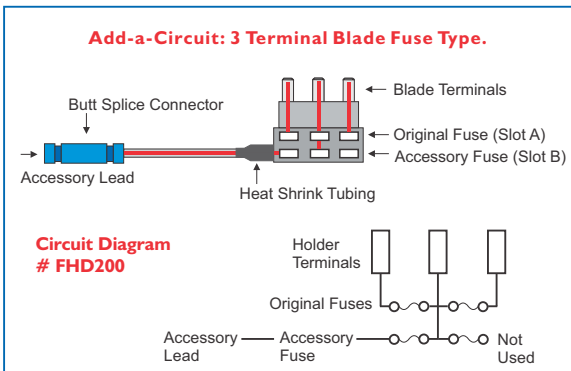
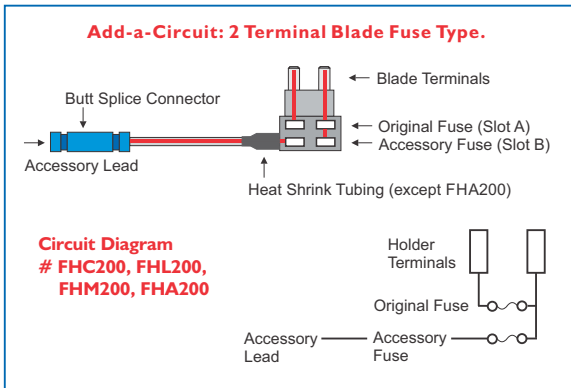


(Auto) FHA200



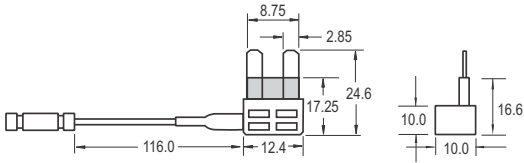
Tap & Fuse Kits

(Micro3 Fuse) FHD200

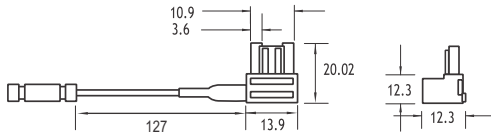


! Important
Please ensure the gauge of the cable powering the original fuse is suitable for the additional current draw of the new circuit.

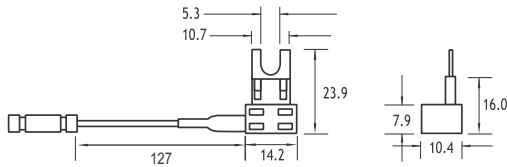
Micro2 BladeFuse



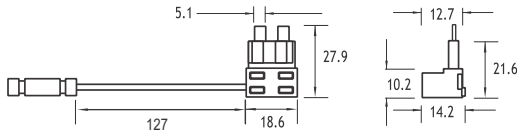
Low Profile Mini Blade Fuse



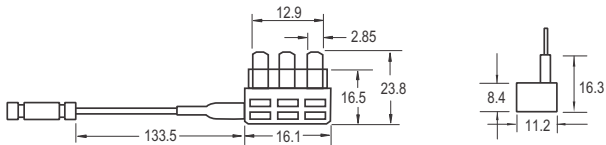
Mini Blade Fuse



Auto Blade Fuse



Micro3 Blade Fuse



Dimensions in MM