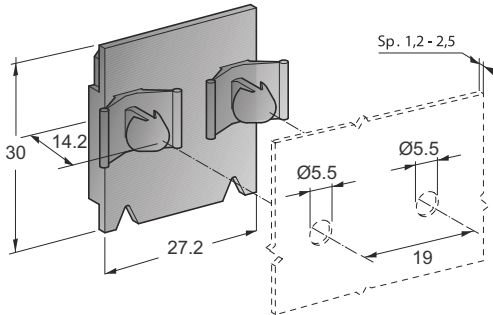


Part Number	Individual Component	Ordering	Pack Size
00392	Pressure fixing dual pin		1, 10, 100
00430	Fixing plate single screw, M5		1, 10, 100
00440	Fixing plate dual screw, M5		1, 10, 100

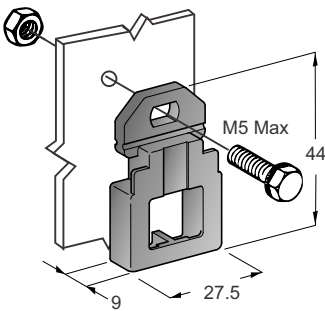
Approvals: RoHS

00392



Dimensions in MM

00430



00440

