

# STANDARD FLASHER RELAYS

These flashers work with standard bulbs and rely on electronic circuitry (not heat) to operate ensuring excellent performance in extreme climates. Flashes at twice the normal speed to indicate lamp outage, and features an audible click when engaged.



**NO.761**

Part Number	Flasher Type	Terminals	Electrical Rating	Number of Bulbs
NO.761	H-D Electronic	3 x 2.8mm	12.6A at 12VDC	2 to 4
NO.762	H-D Electronic	4 x 2.8mm	12.6A at 12VDC	3 to 6



NO.761 Terminal Layout



NO.762 Terminal Layout

Please refer to the following pages for detailed specifications of each relay.

## RELATED PRODUCTS:



Hazard Lights Switch  
Suits 3 & 4 terminal flashers

Scan this QR Code for more information

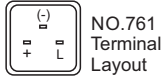


QR Code: 9029

## NO.761

Heavy Duty Electronic Flasher

**Number Lamps:** 2 to 4  
**Number Terminals:** 3  
**Terminal Size:** 2.8mm



**Specifications:** FMVSS108, SAE J590B, J945 & J1690 Class A  
**Rated Load:** Fixed load 2 or 4 SAE number 1156 lamps.

**Lamp Ratings:** No. 1156, 2.1A at 12.8V  
 No. 1895, 0.27A at 14V

**Temperature Rating:** -32°C to +60°C

**Rated Voltages:** 11 to 15V, 11 to 13V (53°C),  
 12.8V (25°C), 11 to 13V (-17°C)

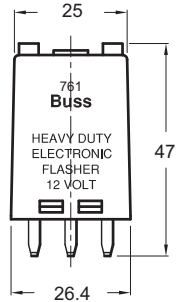
**Voltage Drop at Current:** 500mV

**Time to First Flash:** Less than 1.5 secs

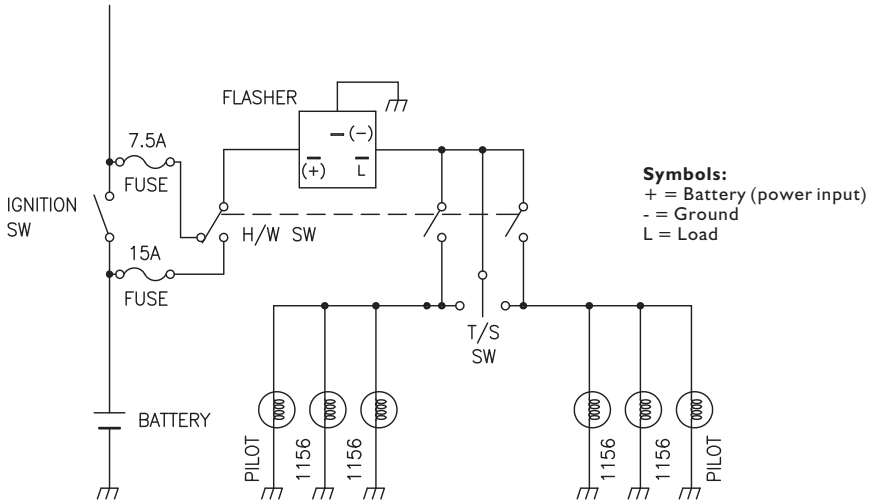
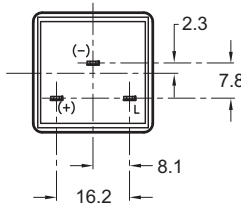
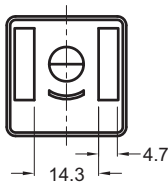
**Flash Rate over Temp. Range:** 60 to 120 flashes/minute

**Duty Cycle:** 35% to 75%

**Electrical Source:** 15A & 7.5A fused circuits



Dimensions in MM



**Symbols:**

- + = Battery (power input)
- = Ground
- L = Load

Turn Signal & Hazard Light  
Circuit Diagram

## NO.762

Heavy Duty Electronic Flasher

**Number Lamps:** 3 to 6  
**Number Terminals:** 4  
**Terminal Size:** 2.8mm



NO.762  
Terminal  
Layout



**Specifications:** FMVSS108, SAE J590B, J945 & J1690 Class A  
**Rated Load:** Fixed load 3 or 6 SAE number 1156 lamps.

**Lamp Ratings:** No. 1156, 2.1A at 12.8V  
 No. 1895, 0.27A at 14V

**Temperature Rating:** -32°C to +60°C

**Rated Voltages:** 11 to 15V, 11 to 13V (53°C),  
 12.8V (25°C), 11 to 13V (-17°C)

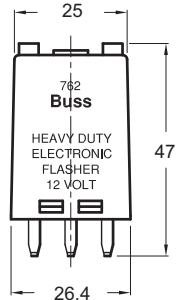
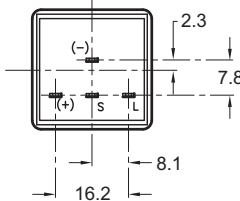
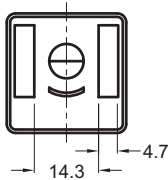
**Voltage Drop at Current:** 500mV

**Time to First Flash:** Less than 1.5 secs

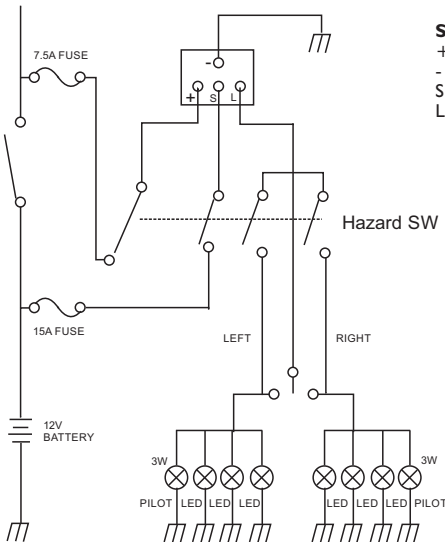
**Flash Rate over Temp. Range:** 60 to 120 flashes/minute

**Duty Cycle:** 35% to 75%

**Electrical Source:** 15A & 7.5A fused circuits



Dimensions in MM



**Symbols:**

- + = Battery (power input)
- = Ground
- S = Sense
- L = Load

Turn Signal & Hazard Light Circuit Diagram