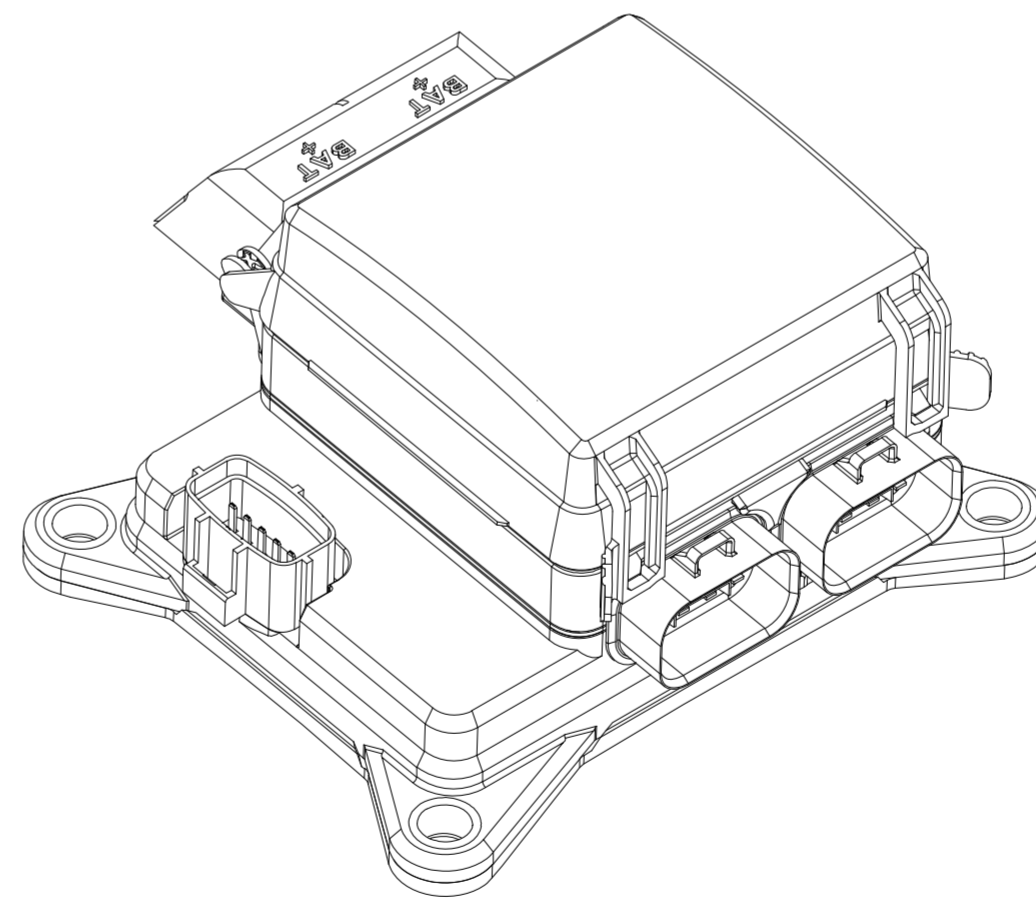
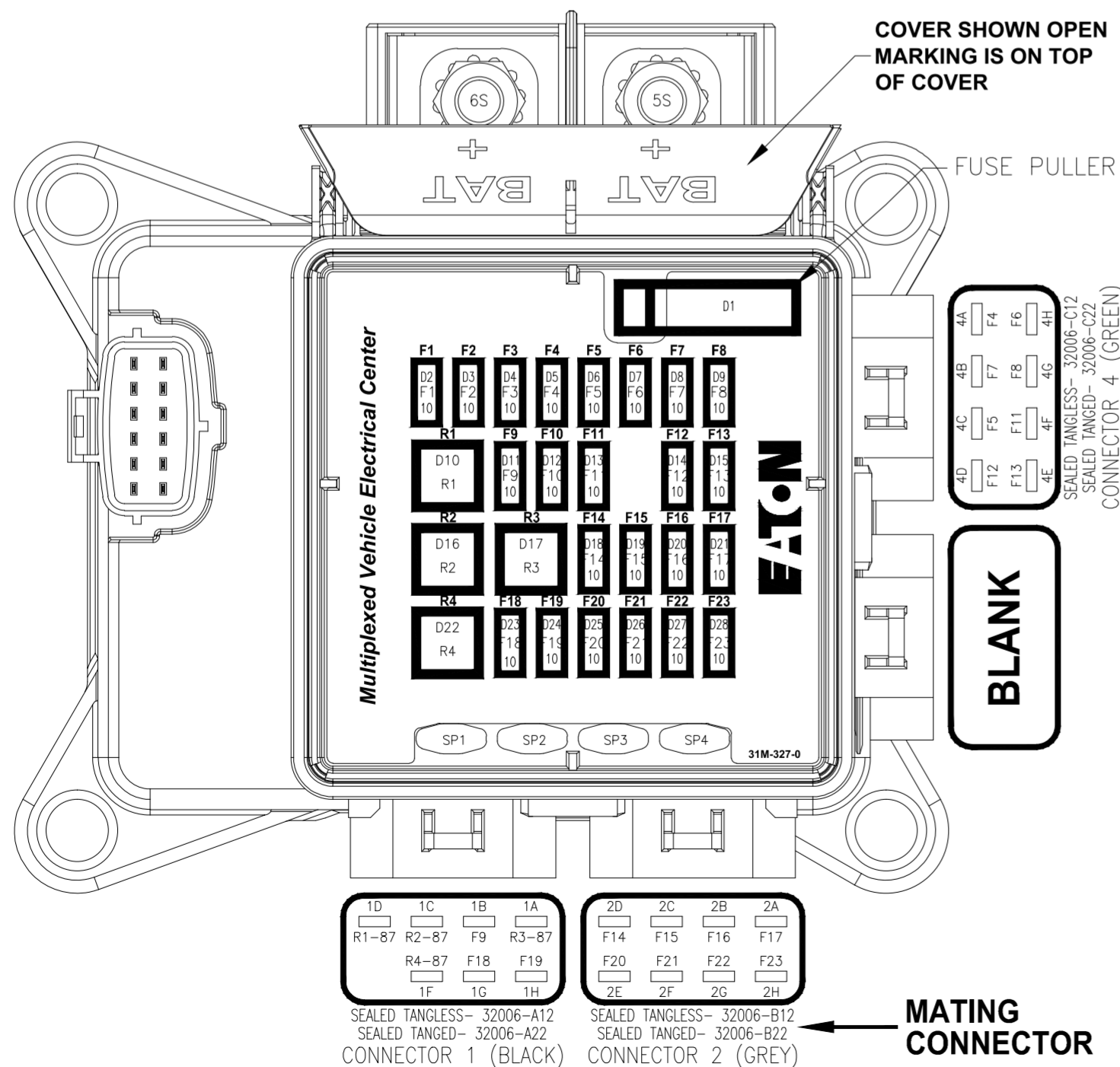


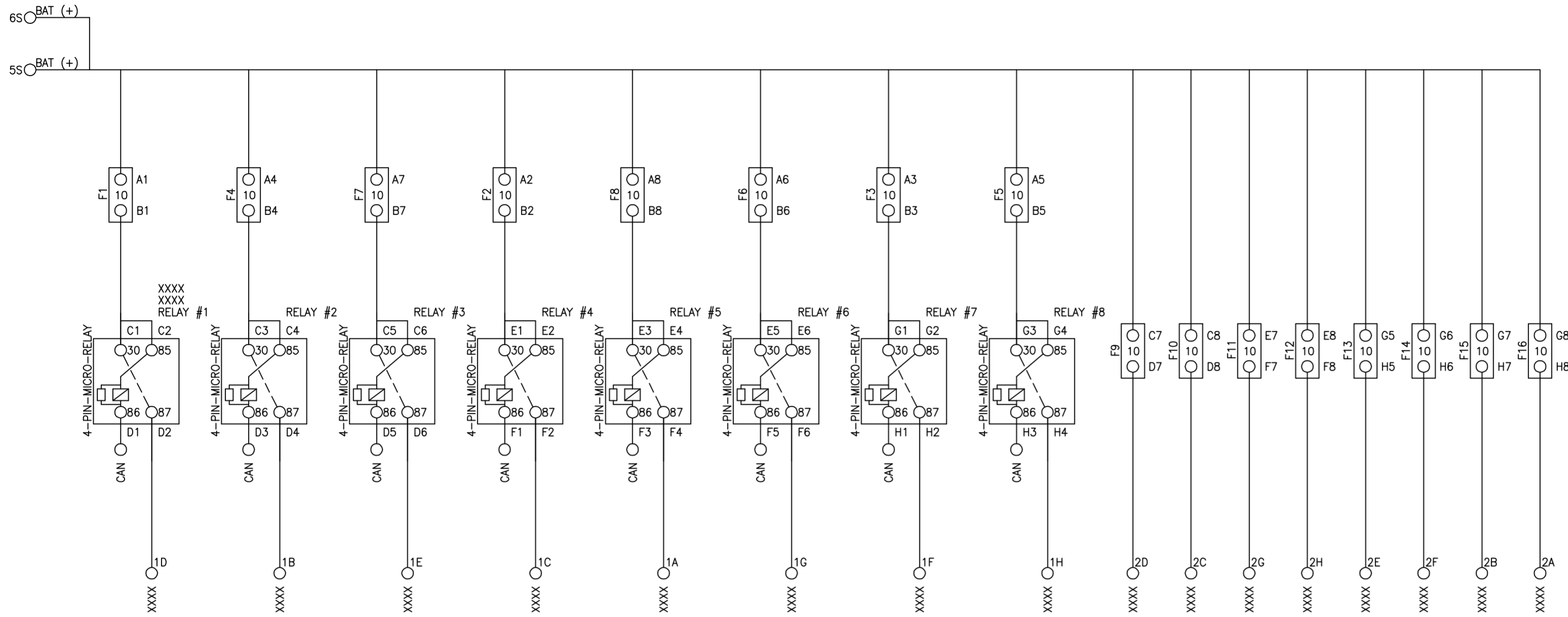
| DEVICE PLACEMENT | | | |
|------------------|-----------|---------------------|---------------|
| POSITION | REFERENCE | DEVICE | PART # |
| D1 | XX | FUSE PULLER | 32013BS |
| D2 | F1 | MINI FUSE | ATM-10UNP-PEC |
| D3 | F2 | MINI FUSE | ATM-10UNP-PEC |
| D4 | F3 | MINI FUSE | ATM-10UNP-PEC |
| D5 | F4 | MINI FUSE | ATM-10UNP-PEC |
| D6 | F5 | MINI FUSE | ATM-10UNP-PEC |
| D7 | F6 | MINI FUSE | ATM-10UNP-PEC |
| D8 | F7 | MINI FUSE | ATM-10UNP-PEC |
| D9 | F8 | MINI FUSE | ATM-10UNP-PEC |
| D10 | R1 | 12V,20A 4-PIN MICRO | B120-7022J |
| D11 | F9 | MINI FUSE | ATM-10UNP-PEC |
| D12 | F10 | MINI FUSE | ATM-10UNP-PEC |
| D13 | F11 | MINI FUSE | ATM-10UNP-PEC |
| D14 | F12 | MINI FUSE | ATM-10UNP-PEC |
| D15 | F13 | MINI FUSE | ATM-10UNP-PEC |
| D16 | R2 | 12V,20A 4-PIN MICRO | B120-7022J |
| D17 | R3 | 12V,20A 4-PIN MICRO | B120-7022J |
| D18 | F14 | MINI FUSE | ATM-10UNP-PEC |
| D19 | F15 | MINI FUSE | ATM-10UNP-PEC |
| D20 | F16 | MINI FUSE | ATM-10UNP-PEC |
| D21 | F17 | MINI FUSE | ATM-10UNP-PEC |
| D22 | R4 | 12V,20A 4-PIN MICRO | B120-7022J |
| D23 | F18 | MINI FUSE | ATM-10UNP-PEC |
| D24 | F19 | MINI FUSE | ATM-10UNP-PEC |
| D25 | F20 | MINI FUSE | ATM-10UNP-PEC |
| D26 | F21 | MINI FUSE | ATM-10UNP-PEC |
| D27 | F22 | MINI FUSE | ATM-10UNP-PEC |
| D28 | F23 | MINI FUSE | ATM-10UNP-PEC |



| DEVICE TOTALS | | |
|---------------------|---------------|--------|
| DEVICE | PART # | AMOUNT |
| FUSE PULLER | 32013BS | 1 |
| 12V,20A 4-PIN MICRO | B120-7022J | 4 |
| MINI FUSE | ATM-10UNP-PEC | 23 |

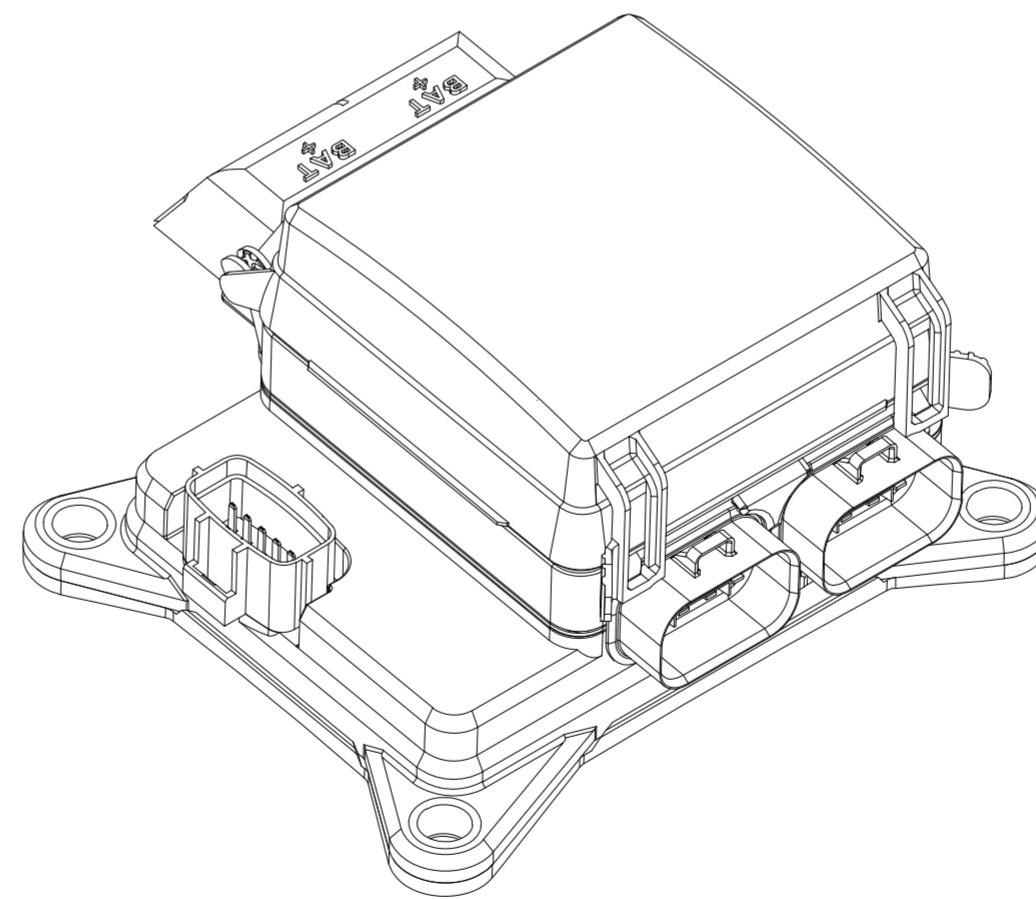
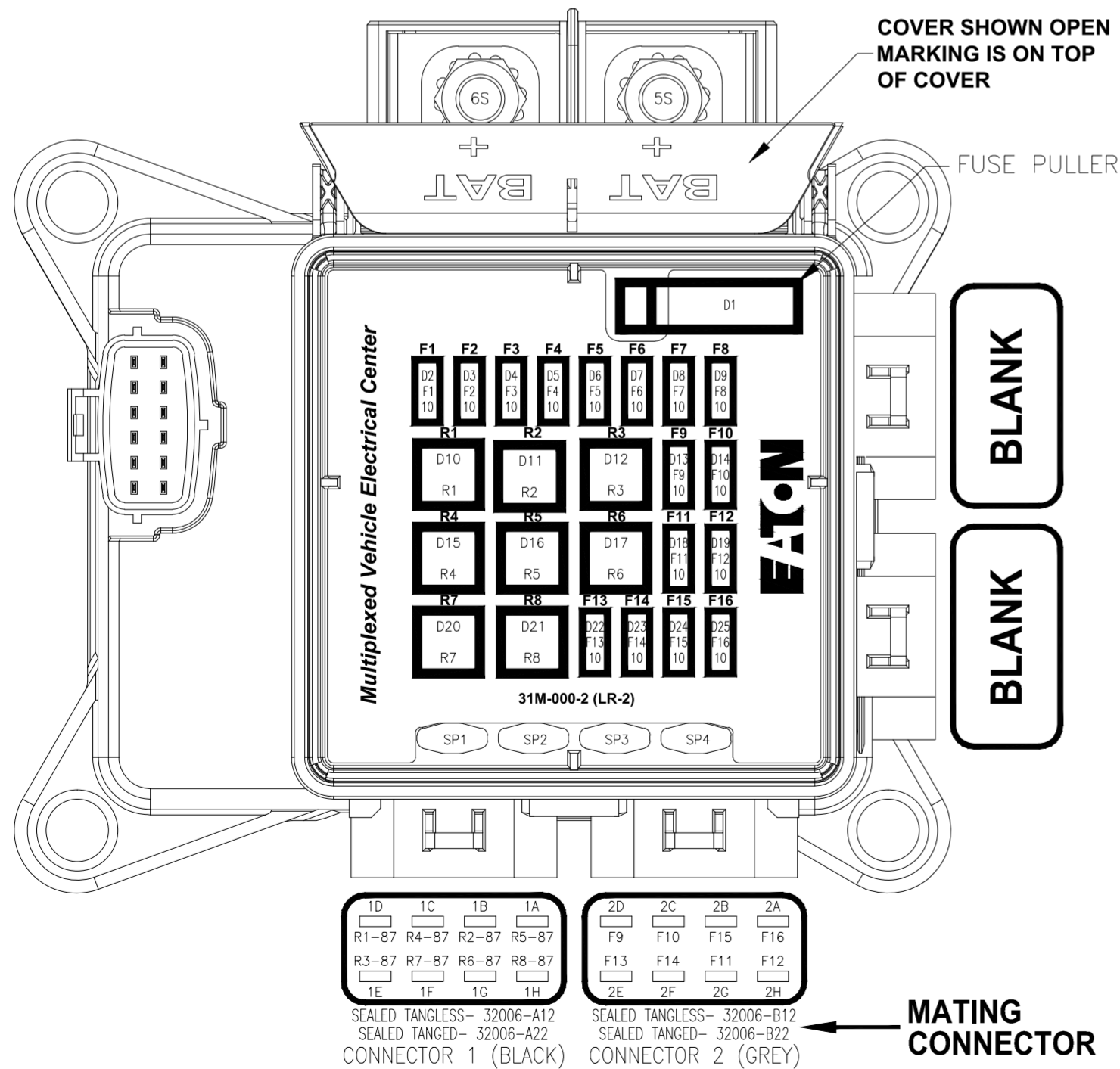
31M-327-0 mVEC Power Distribution Unit

23 x Mini fuses (all 10A), 1 x Fuse Puller,
4 x ISO280 12VDC 20A SPST Ultra Micro Relays
Connectors not included. Output terminals rated 30A max.



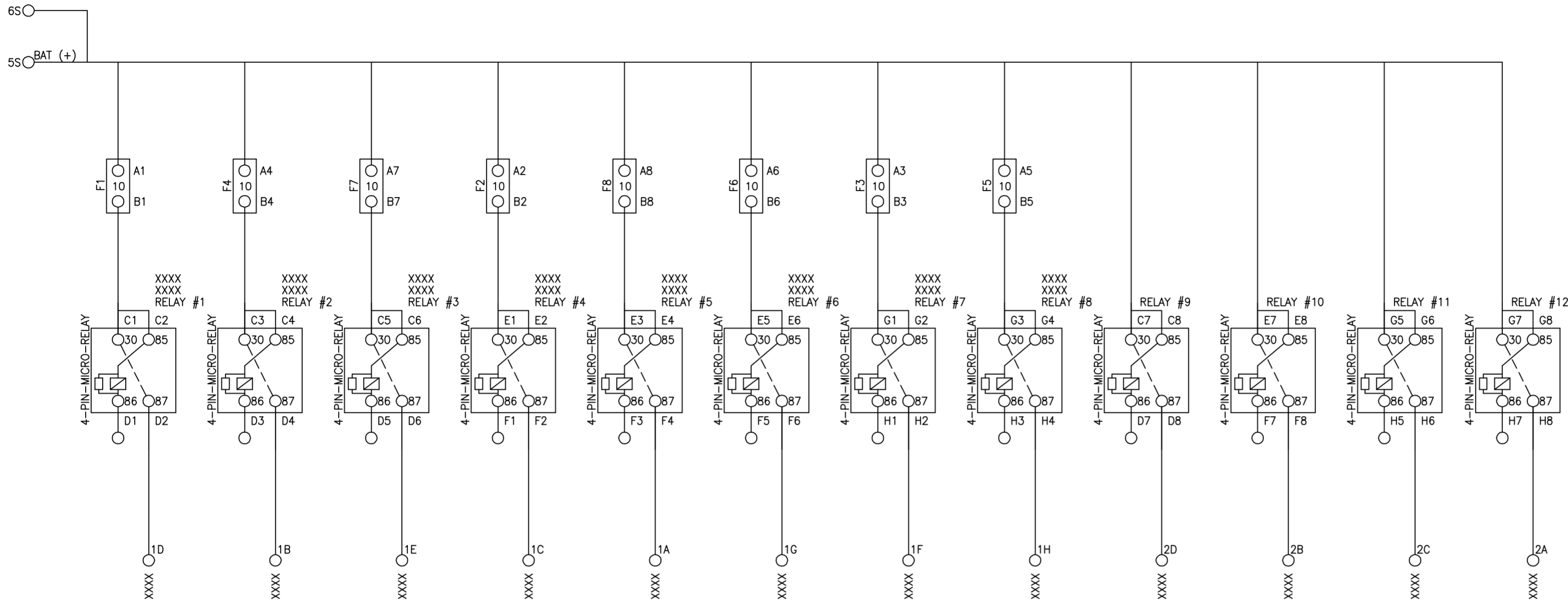
| DEVICE PLACEMENT | | | |
|------------------|-----------|---------------------|---------------|
| POSITION | REFERENCE | DEVICE | PART # |
| D1 | XX | FUSE PULLER | 32013BS |
| D2 | F1 | MINI FUSE | ATM-10UNP-PEC |
| D3 | F2 | MINI FUSE | ATM-10UNP-PEC |
| D4 | F3 | MINI FUSE | ATM-10UNP-PEC |
| D5 | F4 | MINI FUSE | ATM-10UNP-PEC |
| D6 | F5 | MINI FUSE | ATM-10UNP-PEC |
| D7 | F6 | MINI FUSE | ATM-10UNP-PEC |
| D8 | F7 | MINI FUSE | ATM-10UNP-PEC |
| D9 | F8 | MINI FUSE | ATM-10UNP-PEC |
| D10 | R1 | 12V,20A 4-PIN MICRO | B120-7022J |
| D11 | R2 | 12V,20A 4-PIN MICRO | B120-7022J |
| D12 | R3 | 12V,20A 4-PIN MICRO | B120-7022J |
| D13 | F9 | MINI FUSE | ATM-10UNP-PEC |
| D14 | F10 | MINI FUSE | ATM-10UNP-PEC |
| D15 | R4 | 12V,20A 4-PIN MICRO | B120-7022J |
| D16 | R6 | 12V,20A 4-PIN MICRO | B120-7022J |
| D17 | R6 | 12V,20A 4-PIN MICRO | B120-7022J |
| D18 | F11 | MINI FUSE | ATM-10UNP-PEC |
| D19 | F12 | MINI FUSE | ATM-10UNP-PEC |
| D20 | R7 | 12V,20A 4-PIN MICRO | B120-7022J |
| D21 | R8 | 12V,20A 4-PIN MICRO | B120-7022J |
| D22 | F13 | MINI FUSE | ATM-10UNP-PEC |
| D23 | F14 | MINI FUSE | ATM-10UNP-PEC |
| D24 | F15 | MINI FUSE | ATM-10UNP-PEC |
| D25 | F16 | MINI FUSE | ATM-10UNP-PEC |

| DEVICE TOTALS | | |
|---------------------|---------------|--------|
| DEVICE | PART # | AMOUNT |
| FUSE PULLER | 32013BS | 1 |
| MINI FUSE | ATM-10UNP-PEC | 16 |
| 12V,20A 4-PIN MICRO | B120-7022J | 8 |

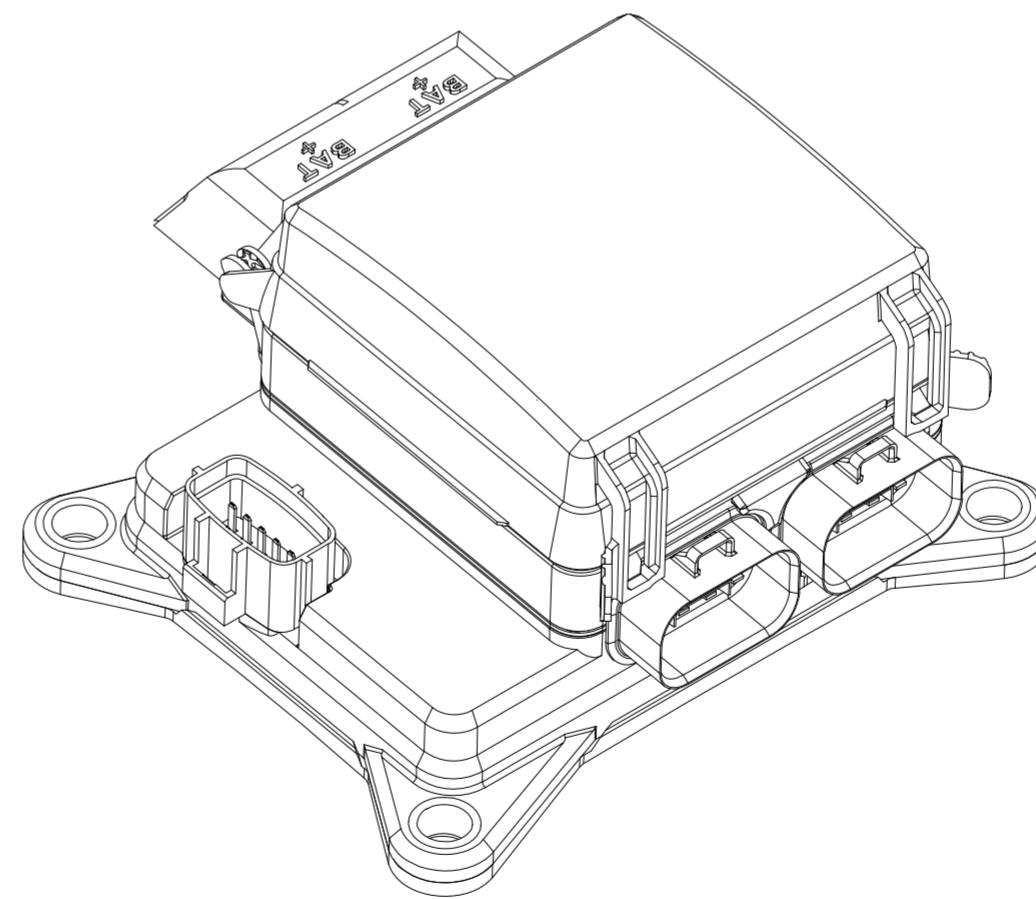
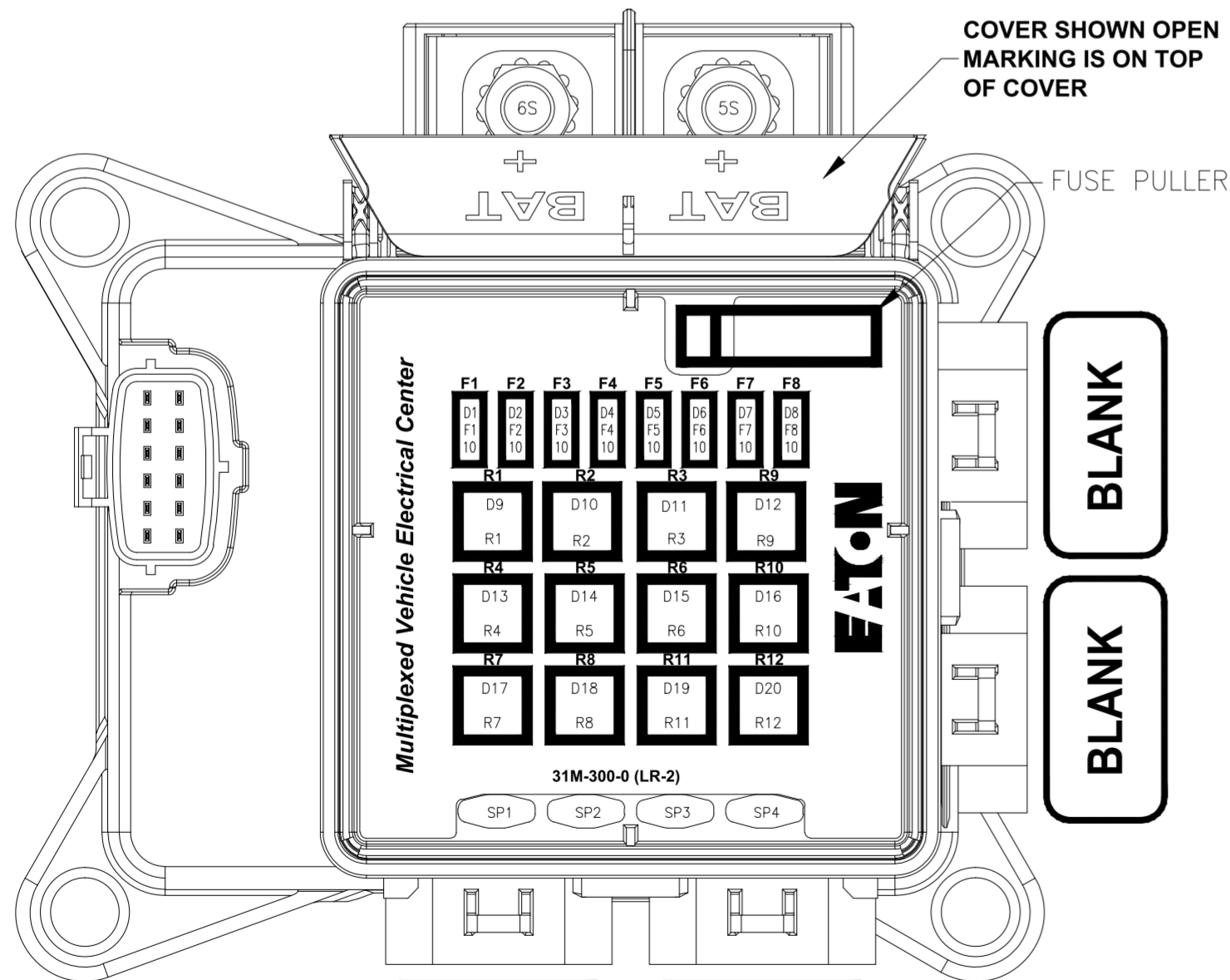


31M-000-2 mVEC Power Distribution Unit

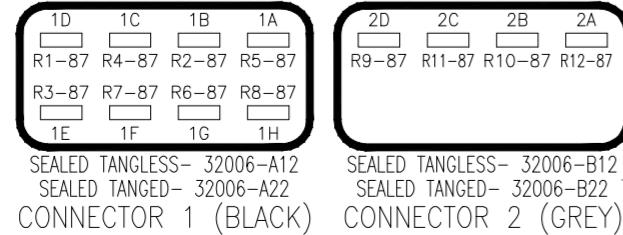
16 x Mini fuses (all 10A), 1 x Fuse Puller,
8 x ISO280 12VDC 20A SPST Ultra Micro Relays
Connectors not included. Output terminals rated 30A max.



| DEVICE PLACEMENT | | | |
|------------------|-----------|---------------------|---------------|
| POSITION | REFERENCE | DEVICE | PART # |
| D1 | F1 | MINI FUSE | ATM-10UNP-PEC |
| D2 | F2 | MINI FUSE | ATM-10UNP-PEC |
| D3 | F3 | MINI FUSE | ATM-10UNP-PEC |
| D4 | F4 | MINI FUSE | ATM-10UNP-PEC |
| D5 | F5 | MINI FUSE | ATM-10UNP-PEC |
| D6 | F6 | MINI FUSE | ATM-10UNP-PEC |
| D7 | F7 | MINI FUSE | ATM-10UNP-PEC |
| D8 | F8 | MINI FUSE | ATM-10UNP-PEC |
| D9 | R1 | 12V,20A 4-PIN MICRO | B120-7022J |
| D10 | R2 | 12V,20A 4-PIN MICRO | B120-7022J |
| D11 | R3 | 12V,20A 4-PIN MICRO | B120-7022J |
| D12 | R9 | 12V,20A 4-PIN MICRO | B120-7022J |
| D13 | R4 | 12V,20A 4-PIN MICRO | B120-7022J |
| D14 | R5 | 12V,20A 4-PIN MICRO | B120-7022J |
| D15 | R6 | 12V,20A 4-PIN MICRO | B120-7022J |
| D16 | R10 | 12V,20A 4-PIN MICRO | B120-7022J |
| D17 | R7 | 12V,20A 4-PIN MICRO | B120-7022J |
| D18 | R8 | 12V,20A 4-PIN MICRO | B120-7022J |
| D19 | R11 | 12V,20A 4-PIN MICRO | B120-7022J |
| D20 | R12 | 12V,20A 4-PIN MICRO | B120-7022J |



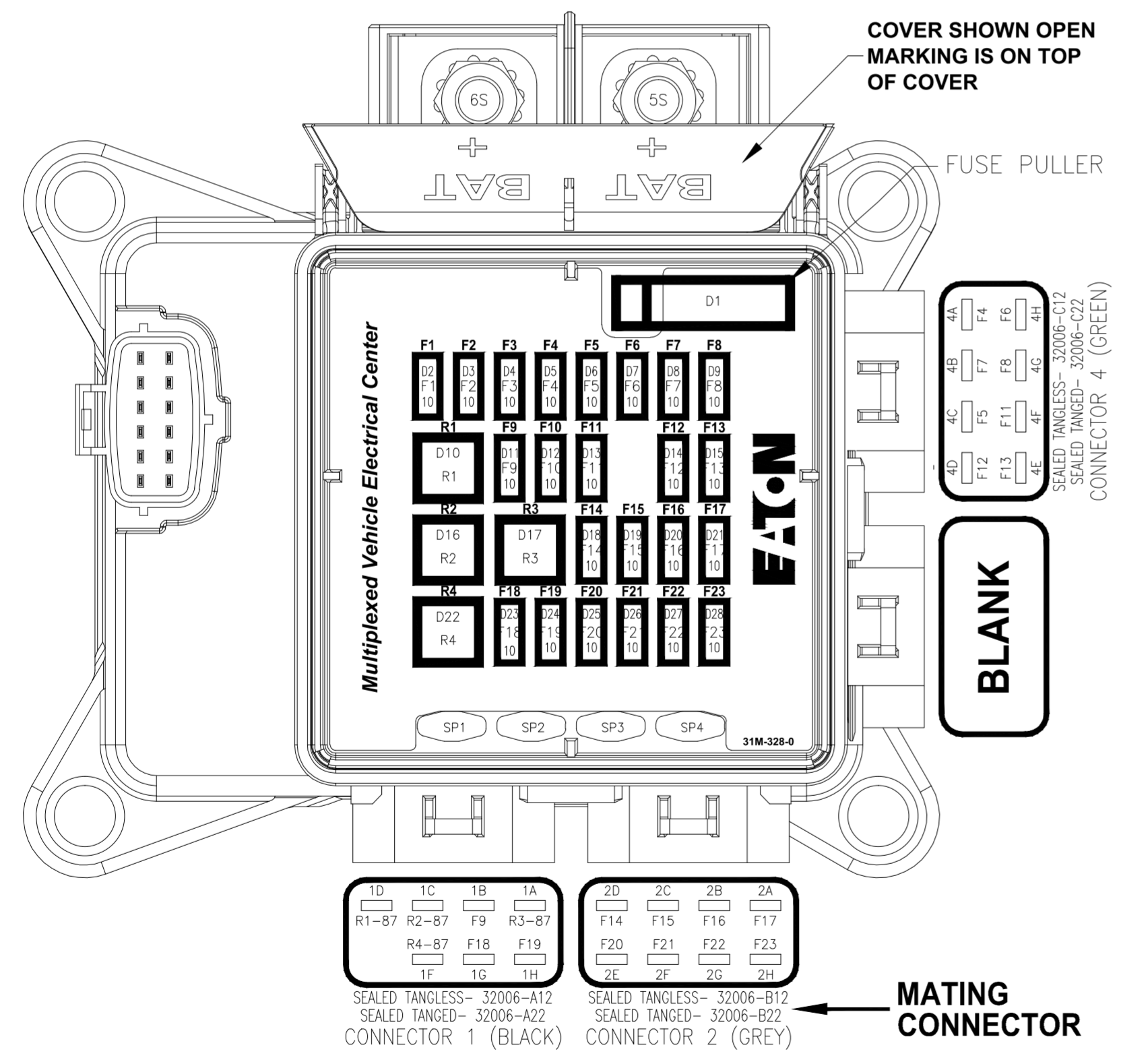
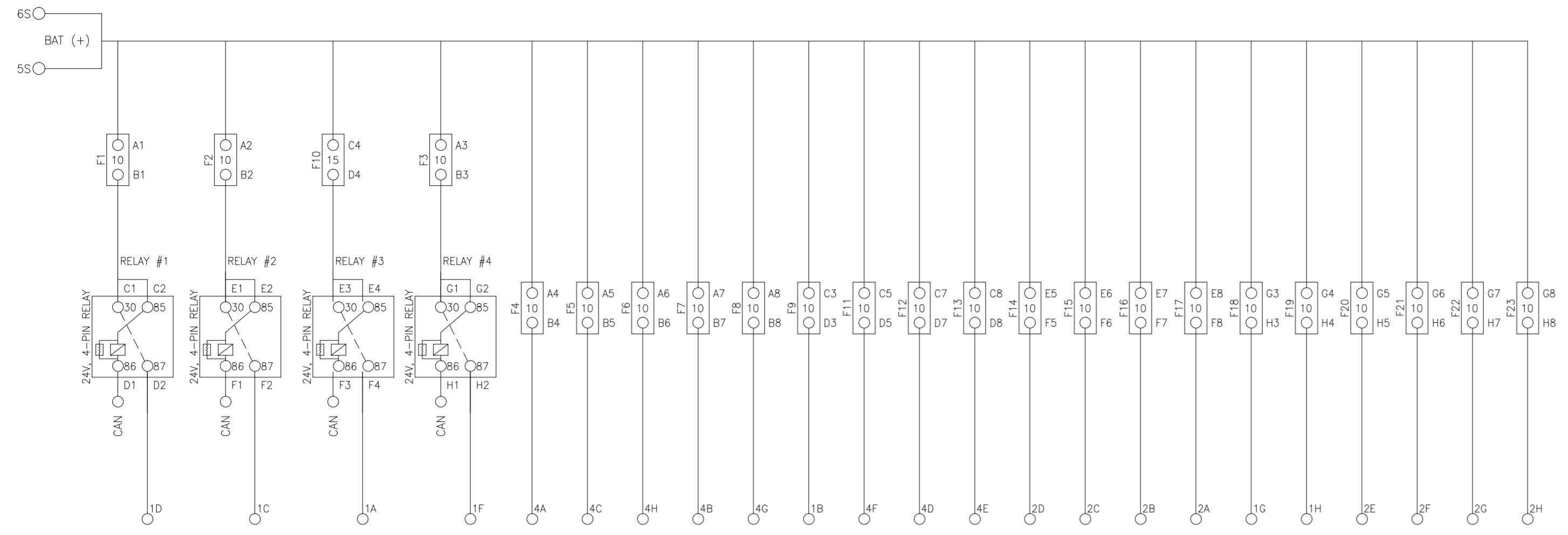
| DEVICE TOTALS | | |
|---------------------|---------------|--------|
| DEVICE | PART # | AMOUNT |
| MINI FUSE | ATM-10UNP-PEC | 8 |
| 12V,20A 4-PIN MICRO | B120-7022J | 12 |



MATING CONNECTOR

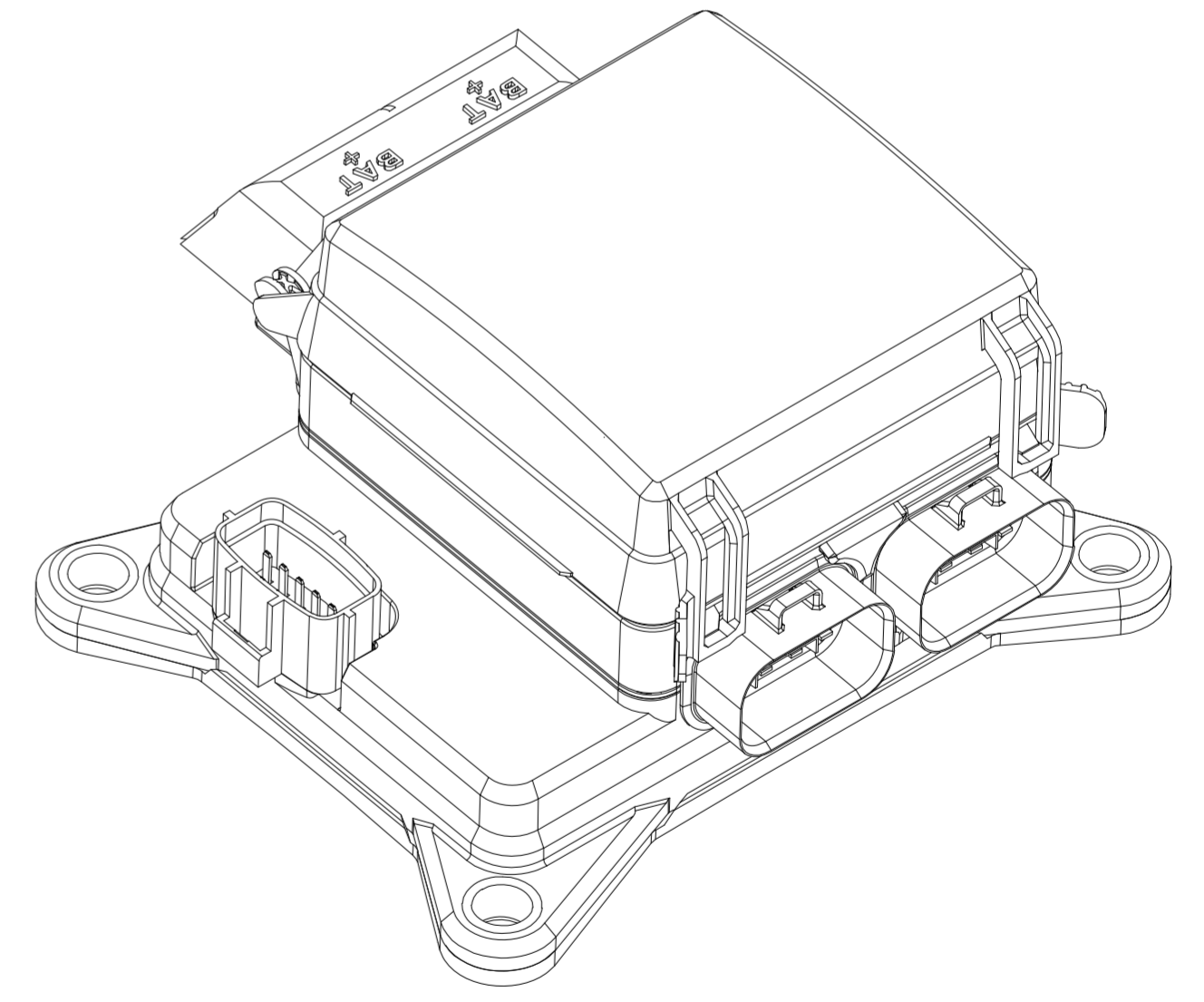
31M-300-0 mVEC Power Distribution Unit

8 x Mini fuses (all 10A), 1 x Fuse Puller,
12 x ISO280 12VDC 20A SPST Ultra Micro Relays
Connectors not included. Output terminals rated 30A max.



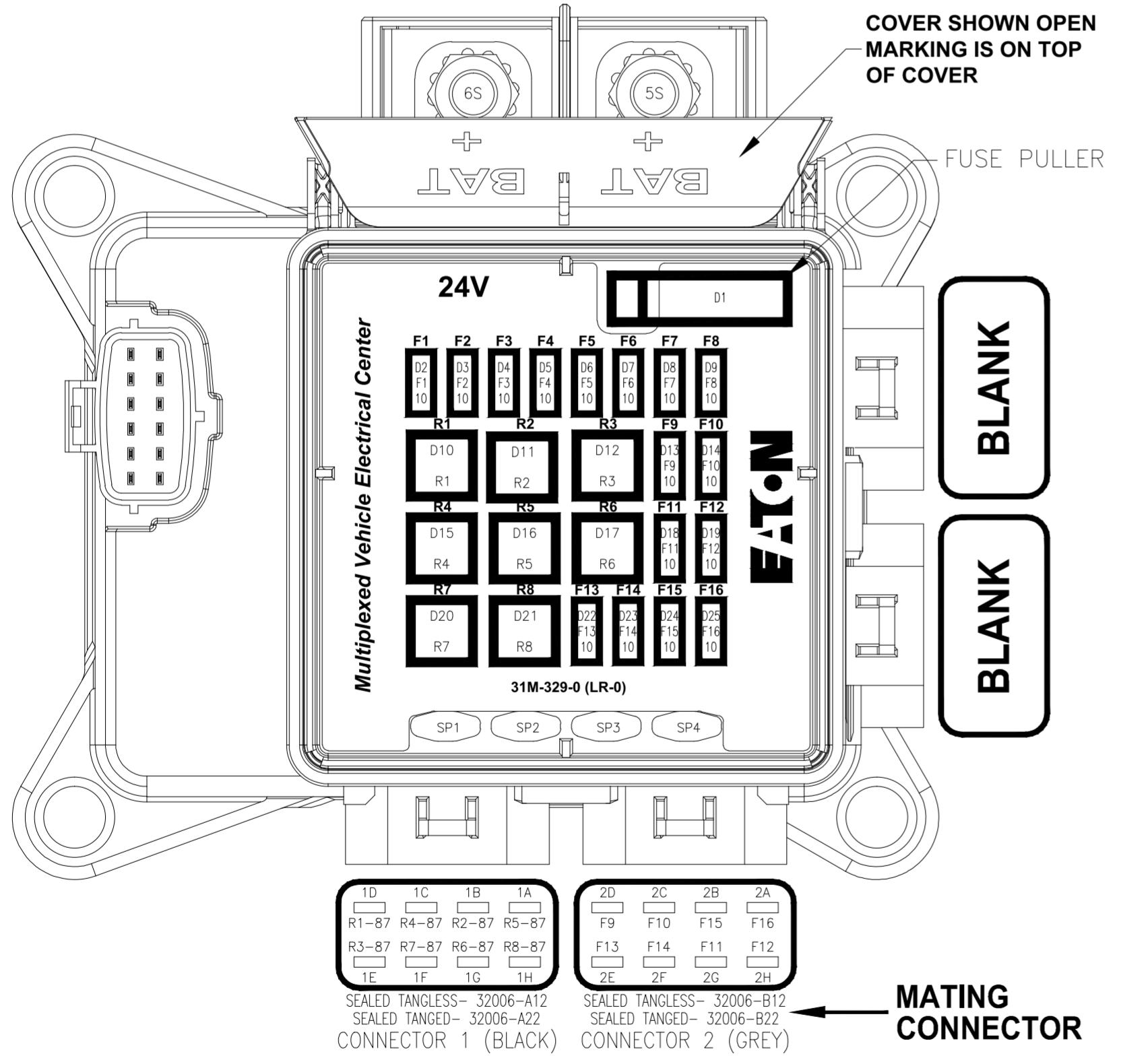
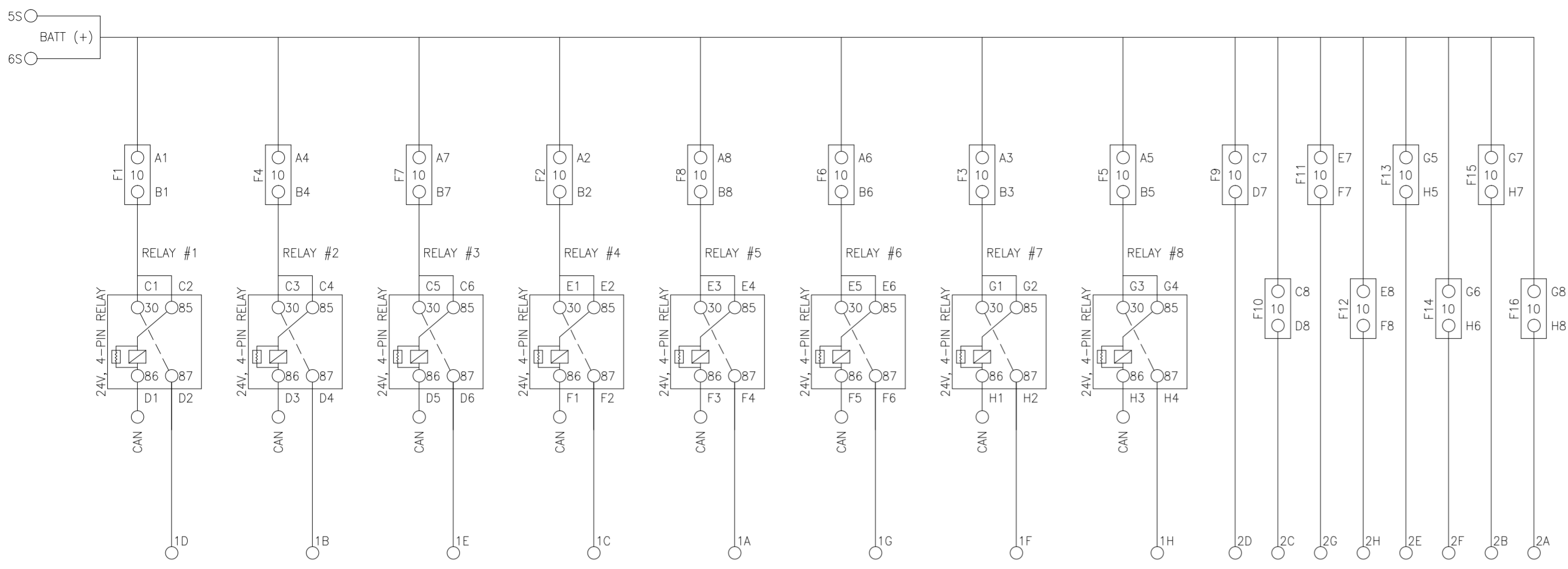
| DEVICE PLACEMENT | | | |
|------------------|-----------|---------------------|---------------|
| POSITION | REFERENCE | DEVICE | PART # |
| D1 | XX | FUSE PULLER | 32013BS |
| D2 | F1 | MINI FUSE | ATM-10UNP-PEC |
| D3 | F2 | MINI FUSE | ATM-10UNP-PEC |
| D4 | F3 | MINI FUSE | ATM-10UNP-PEC |
| D5 | F4 | MINI FUSE | ATM-10UNP-PEC |
| D6 | F5 | MINI FUSE | ATM-10UNP-PEC |
| D7 | F6 | MINI FUSE | ATM-10UNP-PEC |
| D8 | F7 | MINI FUSE | ATM-10UNP-PEC |
| D9 | F8 | MINI FUSE | ATM-10UNP-PEC |
| D10 | R1 | 24V,15A 4-PIN MICRO | B120-7026J |
| D11 | F9 | MINI FUSE | ATM-10UNP-PEC |
| D12 | F10 | MINI FUSE | ATM-10UNP-PEC |
| D13 | F11 | MINI FUSE | ATM-10UNP-PEC |
| D14 | F12 | MINI FUSE | ATM-10UNP-PEC |
| D15 | F13 | MINI FUSE | ATM-10UNP-PEC |
| D16 | R2 | 24V,15A 4-PIN MICRO | B120-7026J |
| D17 | R3 | 24V,15A 4-PIN MICRO | B120-7026J |
| D18 | F14 | MINI FUSE | ATM-10UNP-PEC |
| D19 | F15 | MINI FUSE | ATM-10UNP-PEC |
| D20 | F16 | MINI FUSE | ATM-10UNP-PEC |
| D21 | F17 | MINI FUSE | ATM-10UNP-PEC |
| D22 | R4 | 24V,15A 4-PIN MICRO | B120-7026J |
| D23 | F18 | MINI FUSE | ATM-10UNP-PEC |
| D24 | F19 | MINI FUSE | ATM-10UNP-PEC |
| D25 | F20 | MINI FUSE | ATM-10UNP-PEC |
| D26 | F21 | MINI FUSE | ATM-10UNP-PEC |
| D27 | F22 | MINI FUSE | ATM-10UNP-PEC |
| D28 | F23 | MINI FUSE | ATM-10UNP-PEC |

| DEVICE TOTALS | | |
|---------------------|---------------|--------|
| DEVICE | PART # | AMOUNT |
| FUSE PULLER | 32013BS | 1 |
| 24V,15A 4-PIN MICRO | B120-7026J | 4 |
| MINI FUSE | ATM-10UNP-PEC | 23 |



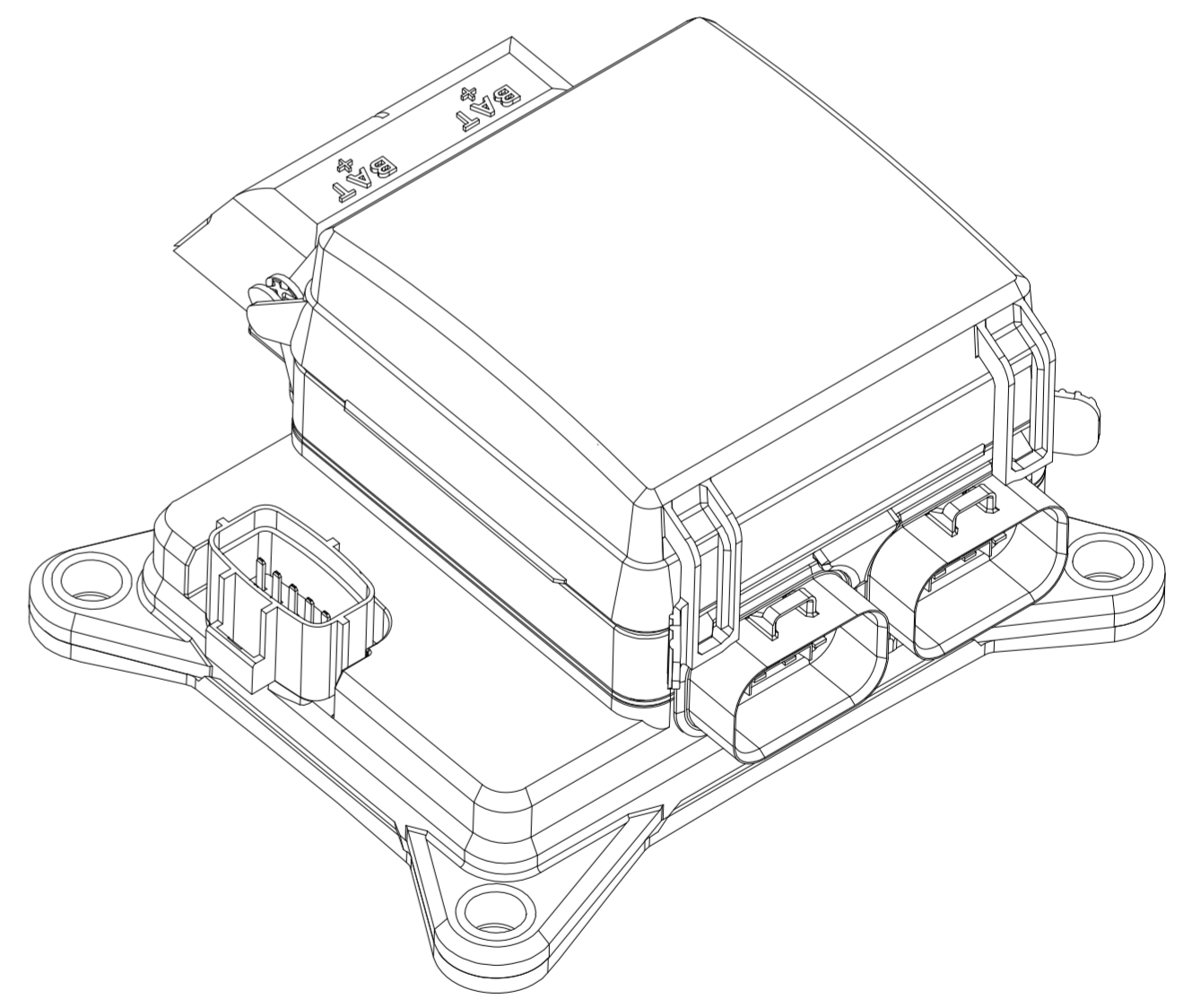
**31M-328-0
mVEC Power Distribution Unit**

23 x Mini fuses (all 10A), 1 x Fuse Puller,
4 x ISO280 24VDC 15A SPST Ultra Micro Relays
Connectors not included. Output terminals rated 30A max.



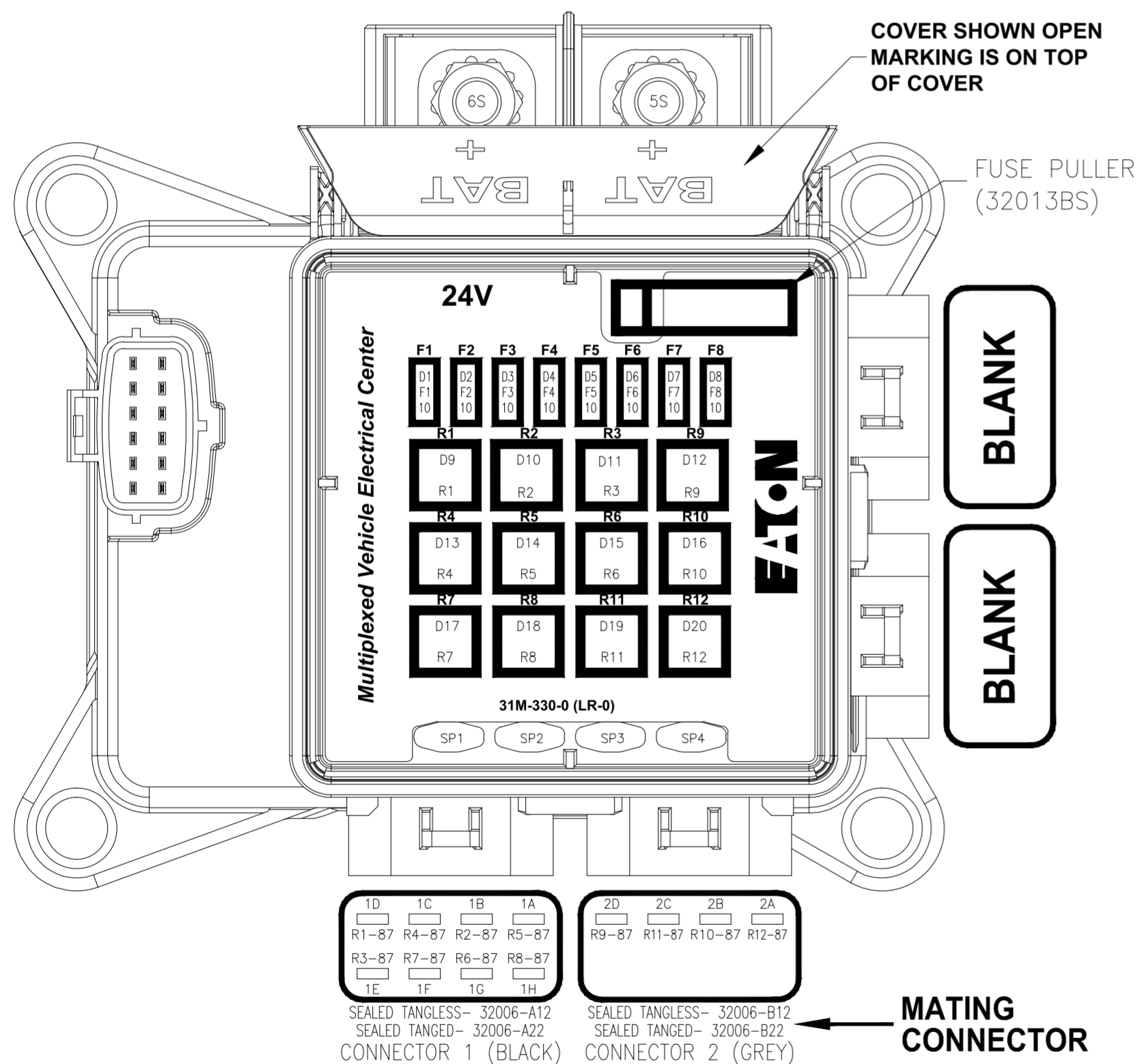
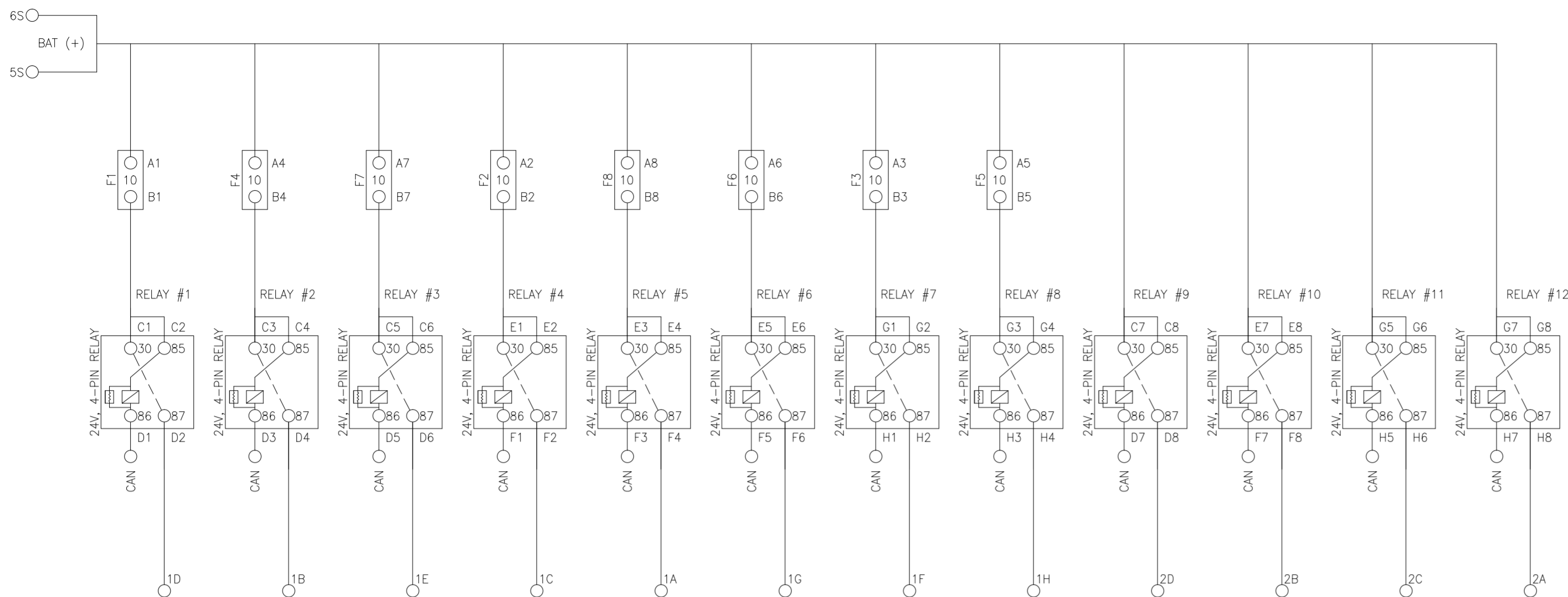
| DEVICE PLACEMENT | | | |
|------------------|-----------|---------------------|---------------|
| POSITION | REFERENCE | DEVICE | PART # |
| D1 | XX | FUSE PULLER | 32013BS |
| D2 | F1 | MINI FUSE | ATM-10UNP-PEC |
| D3 | F2 | MINI FUSE | ATM-10UNP-PEC |
| D4 | F3 | MINI FUSE | ATM-10UNP-PEC |
| D5 | F4 | MINI FUSE | ATM-10UNP-PEC |
| D6 | F5 | MINI FUSE | ATM-10UNP-PEC |
| D7 | F6 | MINI FUSE | ATM-10UNP-PEC |
| D8 | F7 | MINI FUSE | ATM-10UNP-PEC |
| D9 | F8 | MINI FUSE | ATM-10UNP-PEC |
| D10 | R1 | 24V,15A 4-PIN MICRO | B120-7026J |
| D11 | R2 | 24V,15A 4-PIN MICRO | B120-7026J |
| D12 | R3 | 24V,15A 4-PIN MICRO | B120-7026J |
| D13 | F9 | MINI FUSE | ATM-10UNP-PEC |
| D14 | F10 | MINI FUSE | ATM-10UNP-PEC |
| D15 | R4 | 24V,15A 4-PIN MICRO | B120-7026J |
| D16 | R6 | 24V,15A 4-PIN MICRO | B120-7026J |
| D17 | R6 | 24V,15A 4-PIN MICRO | B120-7026J |
| D18 | F11 | MINI FUSE | ATM-10UNP-PEC |
| D19 | F12 | MINI FUSE | ATM-10UNP-PEC |
| D20 | R7 | 24V,15A 4-PIN MICRO | B120-7026J |
| D21 | R8 | 24V,15A 4-PIN MICRO | B120-7026J |
| D22 | F13 | MINI FUSE | ATM-10UNP-PEC |
| D23 | F14 | MINI FUSE | ATM-10UNP-PEC |
| D24 | F15 | MINI FUSE | ATM-10UNP-PEC |
| D25 | F16 | MINI FUSE | ATM-10UNP-PEC |

| DEVICE TOTALS | | |
|---------------------|---------------|--------|
| DEVICE | PART # | AMOUNT |
| FUSE PULLER | 32013BS | 1 |
| MINI FUSE | ATM-10UNP-PEC | 16 |
| 24V,15A 4-PIN MICRO | B120-7026J | 8 |



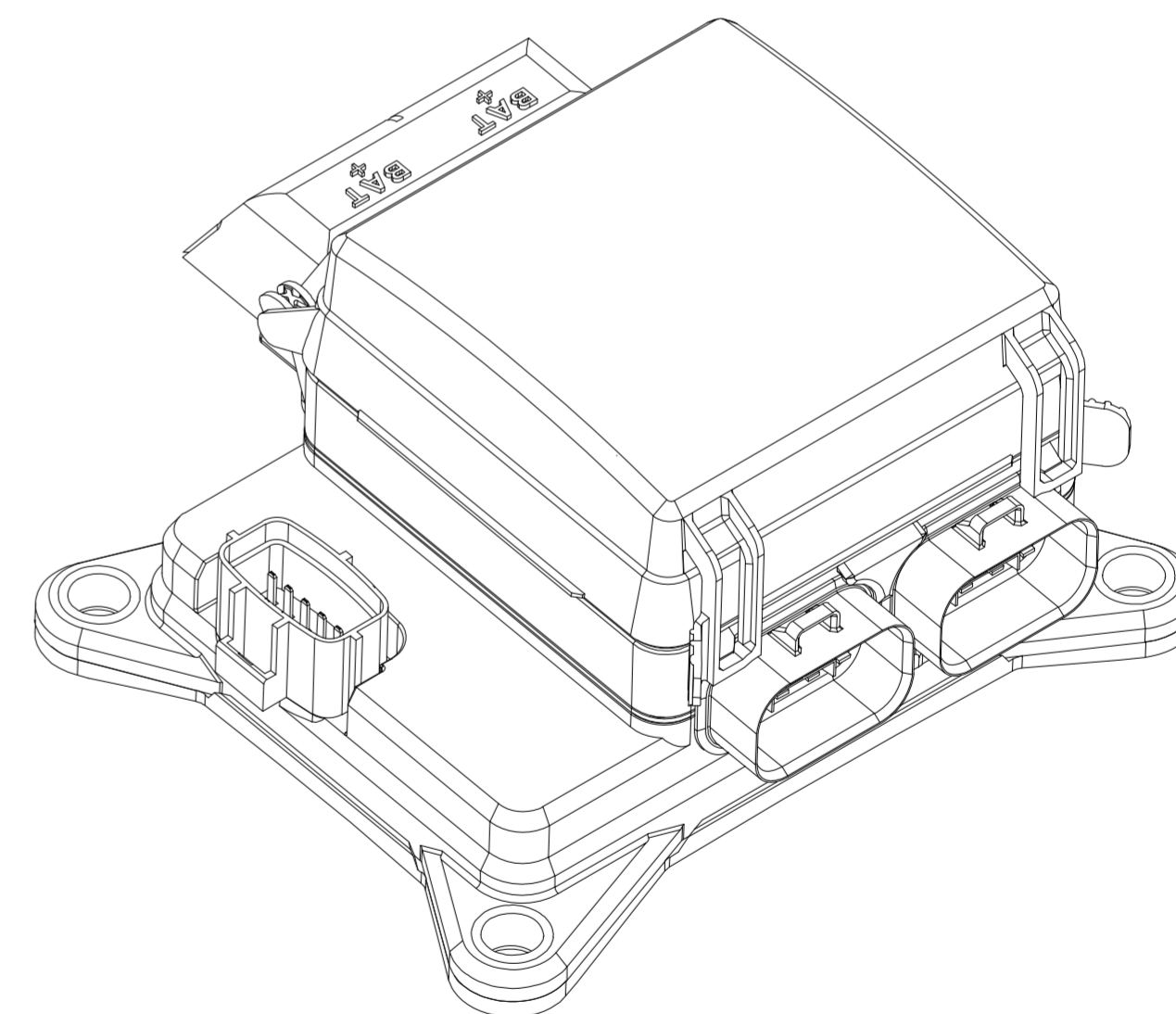
31M-329-0
mVEC Power Distribution Unit

16 x Mini fuses (all 10A), 1 x Fuse Puller,
8 x ISO280 24VDC 15A SPST Ultra Micro Relays
Connectors not included. Output terminals rated 30A max.



| DEVICE PLACEMENT | | | |
|------------------|-----------|---------------------|---------------|
| POSITION | REFERENCE | DEVICE | PART # |
| D1 | F1 | MINI FUSE | ATM-10UNP-PEC |
| D2 | F2 | MINI FUSE | ATM-10UNP-PEC |
| D3 | F3 | MINI FUSE | ATM-10UNP-PEC |
| D4 | F4 | MINI FUSE | ATM-10UNP-PEC |
| D5 | F5 | MINI FUSE | ATM-10UNP-PEC |
| D6 | F6 | MINI FUSE | ATM-10UNP-PEC |
| D7 | F7 | MINI FUSE | ATM-10UNP-PEC |
| D8 | F8 | MINI FUSE | ATM-10UNP-PEC |
| D9 | R1 | 24V,15A 4-PIN MICRO | B120-7026J |
| D10 | R2 | 24V,15A 4-PIN MICRO | B120-7026J |
| D11 | R3 | 24V,15A 4-PIN MICRO | B120-7026J |
| D12 | R9 | 24V,15A 4-PIN MICRO | B120-7026J |
| D13 | R4 | 24V,15A 4-PIN MICRO | B120-7026J |
| D14 | R5 | 24V,15A 4-PIN MICRO | B120-7026J |
| D15 | R6 | 24V,15A 4-PIN MICRO | B120-7026J |
| D16 | R10 | 24V,15A 4-PIN MICRO | B120-7026J |
| D17 | R7 | 24V,15A 4-PIN MICRO | B120-7026J |
| D18 | R8 | 24V,15A 4-PIN MICRO | B120-7026J |
| D19 | R11 | 24V,15A 4-PIN MICRO | B120-7026J |
| D20 | R12 | 24V,15A 4-PIN MICRO | B120-7026J |

| DEVICE TOTALS | | |
|---------------------|---------------|--------|
| DEVICE | PART # | AMOUNT |
| MINI FUSE | ATM-10UNP-PEC | 8 |
| 24V,15A 4-PIN MICRO | B120-7026J | 12 |



31M-330-0 mVEC Power Distribution Unit

8 x Mini fuses (all 10A), 1 x Fuse puller,
12 x ISO280 24VDC 15A SPST Ultra Micro Relays
Connectors not included. Output terminals rated 30A max.