

**NEW**  
**IP67**  
**IP69K**

## Mini Flexible Electrical Center (MiniFlec)

The MiniFlec is a compact, front access, internally bussed, connectorized, sealed IP67/69K rated power distribution module. It is suitable for mounting in rugged commercial vehicle applications, has a dense concentration of high power circuits and accepts plug-in devices like automotive fuses, diodes and relays to protect and control complex electrical systems. An internally mounted Printed Circuit Board (PCB) feeds power from a single M8 input stud to 9 x fuse protected relay controlled power output circuits and 6 x fuse only power output circuits. Relay switching and power output wires are connected to the module using Tyco HDSCS connectors located at the base of the unit. All plug-in components i.e. fuses, relays and Tyco connectors are not included with the module and must be ordered separately. Contact sales for further information on Littelfuse custom designed units.

### Features

- Module includes cover. A mini fuse / mini device puller is also fitted in the cover.
- 6 locations for spare fuses (4 x Mini / 2 x Mcase Slotted fuses).
- Cover is tethered to the module to prevent misplacement.
- Yellow AssureLatch system for secure locking of cover to the module.
- Module is rated to 150A max load.
- All relays share a common ground circuit for relay coil.
- Vent plug located at the base of the unit.

Part Number:	Description
LFMX0007Z-01	Standard Unpopulated PDM & Cover for: Up to 12 x Mini Fuses (2A-30A) Up to 2 x Mcase Slotted Fuses (15A-60A) Up to 1 x ISO Mini Relay 5 pin Up to 3 x ISO280 Micro Relays 4 Pin Up to 3 x ISO280 Ultra Micro Relays 4 Pin

**Voltage:** 9 to 16VDC (with 12V relays fitted)  
18 to 32VDC (with 24V relays fitted)

**Rating:** Max Load 150A.

**Power Input Stud:** 1 x M8 stud.

**Fuse Ratings:** Max fuse ratings shown in circuit diagram.

**Connectors (x4):** Tyco HDSCS series with MCP terminals.

**Housing:** 94V-0 glass reinforced nylon.

**Cover:** Includes Mini fuse puller and slots for 4 x spare Mini fuses.

**Base:** Includes vent for pressure equalization and slots for 2 x spare Mcase slotted fuses.

**Tether:** Included.

**Ingress Protection Rating:** IEC 529, IP67, IP69K

**Cover Gasket:** Internal, silicone.

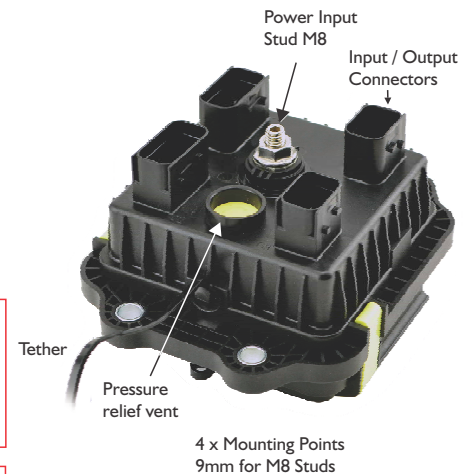
**Mounting:** Panel Mount (Rear fed connectors)..

**Vibration:** ISO 16750-4

**Temperature Rating:** -40 °C to +85 °C.

**Notes:** Connectors, fuses & relays are not included.

**Approvals:**



### ACCESSORIES: TYCO HDSCS CONNECTORS

Part Number	Connector	Poles	Terminals
I-1670894-1	C1	8	AMP MCP 2.8 (8pcs)
2-1564514-1	C2	10	AMP MCP 1.5k (6pcs) & AMP MCP 2.8 (4pcs)
I-1418437-1	C3	6	AMP MCP 2.8 (6pcs)
I-1564542-1	C4	2	AMP MCP 6.3/4.8k (2pcs)



### ACCESSORIES: AMP MCP 1.5k

#### TERMINALS: TANGED

Female  
Copper Nickel / Tin plated



#### CABLE SEALS:

Silicone



#### CAVITY PLUG:

Silicone



Part Number	Wire (AWG)	Wire (mm <sup>2</sup> )	Part Number	Cable Dia. (mm)	Colour	Cavity Plugs	Colour
I564325-1	-	0.2 - 0.35mm <sup>2</sup>	964971-1	1.2 - 1.6 dia.	Red	963531-1	White
I241381-1	#20 - #16	0.5 - 1.0mm <sup>2</sup>	963530-1	1.4 - 1.9 dia.	Gray		
I418885-1	#16 - #15	1.0 - 1.5mm <sup>2</sup>	964972-1	1.9 - 2.4 dia.	Yellow		

Note: AMP MCP 1.5k terminals are rated to 20A max. at 20 °C ambient temperature.

### ACCESSORIES: AMP MCP 2.8

#### TERMINALS: TANGED

Female  
Copper Nickel / Tin plated



#### CABLE SEALS:

Silicone



#### CAVITY PLUG:

Silicone



Part Number	Wire (AWG)	Wire (mm <sup>2</sup> )	Part Number	Cable Dia. (mm)	Colour	Cavity Plugs	Colour
I-968875-1	#20 - #16	0.5 - 1.0mm <sup>2</sup>	828904-1	1.2 - 2.1 dia.	Blue	828922-1	Clear
I-968876-1	#16 - #14	1.0 - 2.5mm <sup>2</sup>	828905-1	2.2 - 3.0 dia.	White		
I-968877-1	#12	4.0mm <sup>2</sup>					

Note: AMP MCP 2.8 terminals are rated to 40A max. at 20 °C ambient temperature.

### ACCESSORIES: AMP MCP 6.3/4.8k

#### TERMINALS: TANGED

Female  
Copper Nickel / Tin plated



#### CABLE SEALS:

Silicone



#### CAVITY PLUG:

Silicone

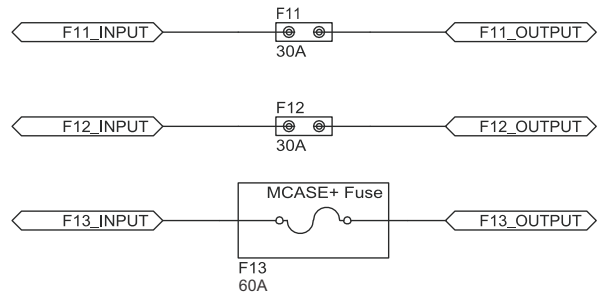
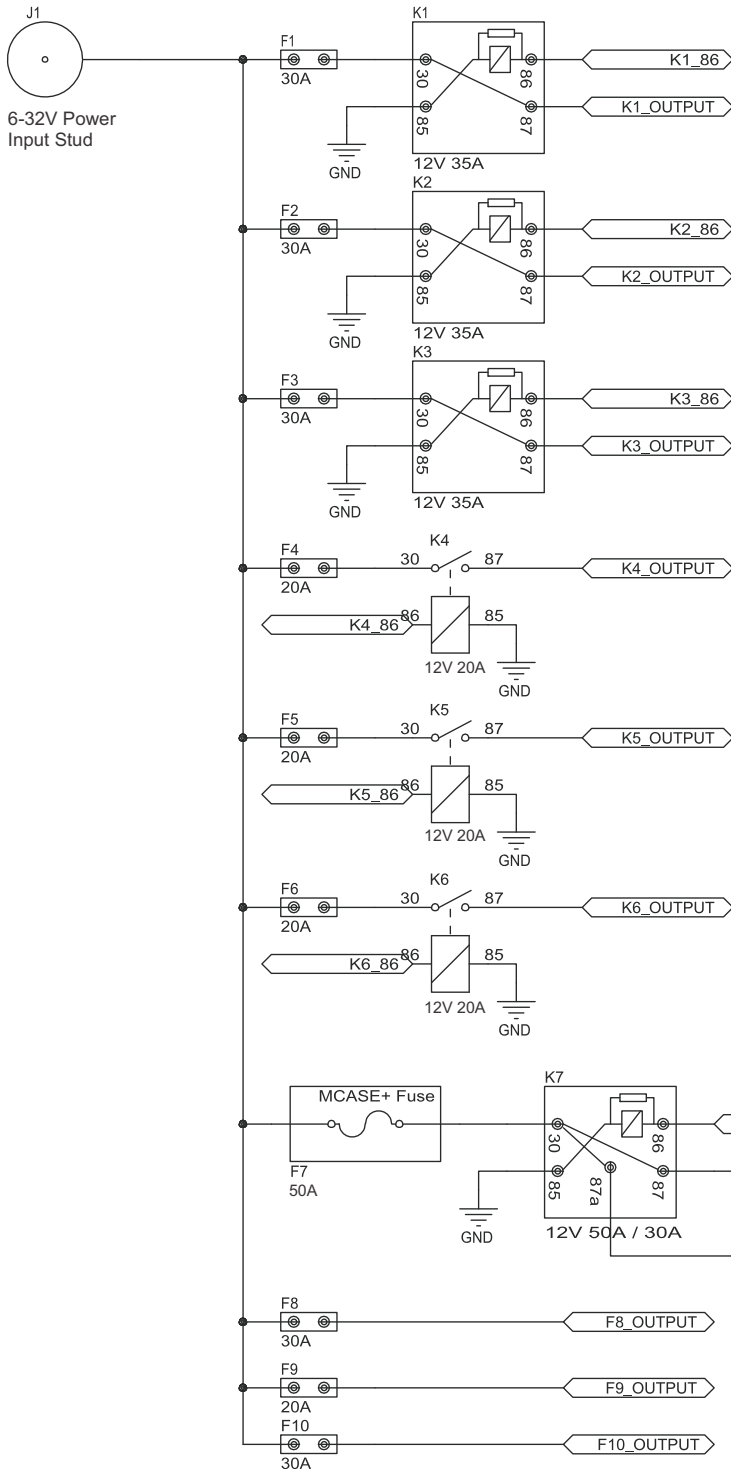


Part Number	Wire (AWG)	Wire (mm <sup>2</sup> )	Part Number	Cable Dia. (mm)	Colour	Cavity Plugs	Colour
I241413-1	#20 - #16	0.5 - 1.0mm <sup>2</sup>	I394511-1	2.0 - 2.7	White	967652-1	Clear
I241415-1	#16 - #13	1.0 - 2.5mm <sup>2</sup>	I823111-1	2.7 - 3.0	Red-Brown		
I241417-1	#13 - #12	2.5 - 4.0mm <sup>2</sup>	I394512-1	3.4 - 3.7	Blue		
I241419-4	#12 - #10	4.0 - 6.0mm <sup>2</sup>	I719043-1	4.0 - 4.5	Green		

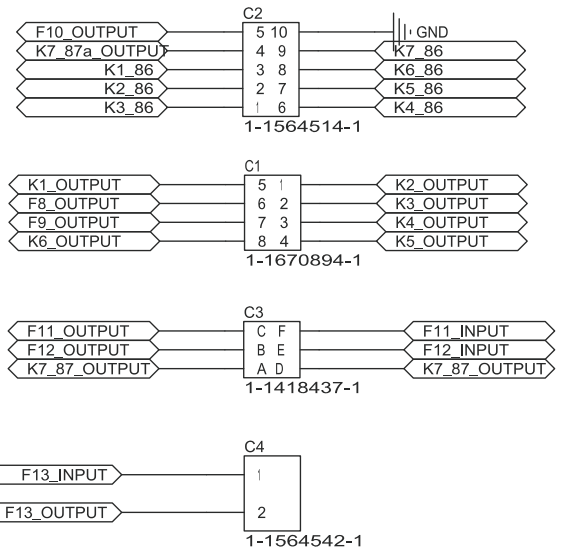
Note: AMP MCP 6.3/4.8k terminals are rated to 40A max. at 20 °C ambient temperature.



**Internal Circuit Diagram**



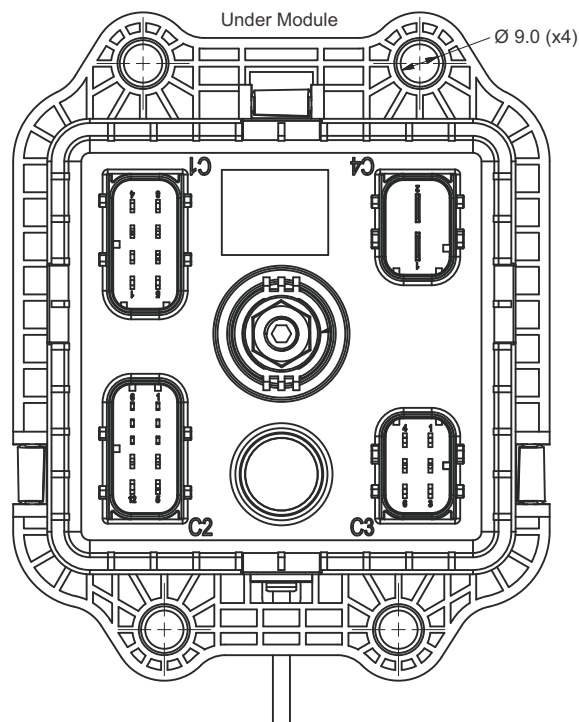
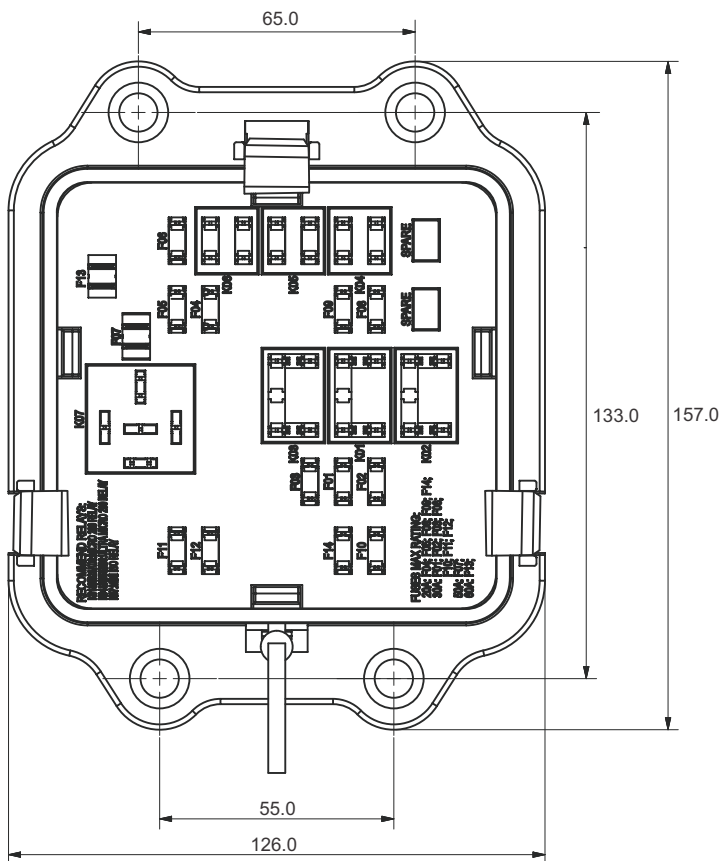
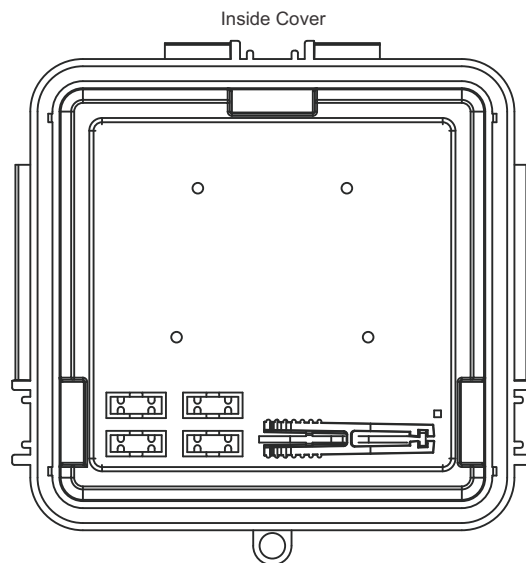
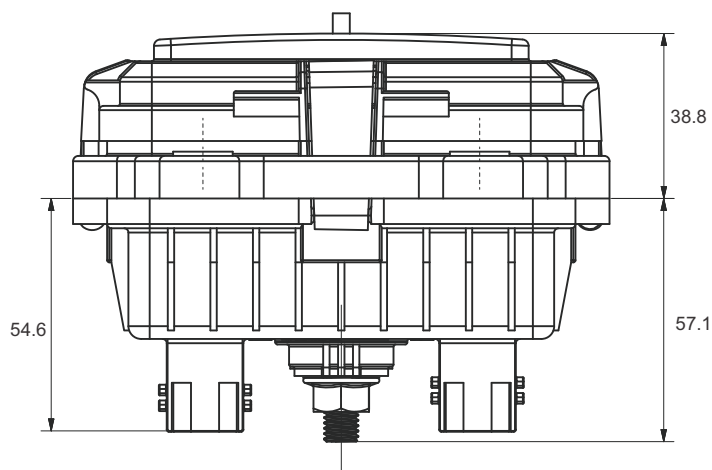
**Connector Wiring**



**Notes:**

1. Maximum fuse value is shown for each fuse eg. 20A means maximum fuse that can be used is 20A.
2. All relays share a common ground circuit for the relay coil.

**Dimensions**



Dimensions in MM

Mounting Diagram

