

# POWER DIST. MODULE SEALED - 72 POSITION



**NEW**  
**IP66**  
**58V**

This sealed, compact and rugged module is an excellent power distribution solution for marine, construction, agriculture, heavy trucking, and specialty vehicle industries. It accommodates 72 terminal positions to provide component flexibility for the increasing demands of modern electrical systems.

**Voltage Rating:** 58VDC **Terminal Rating:** 30A per terminal.  
**Terminal Capacity:** 72 terminals on a layout matrix of (6 x 12).  
**Components:** Accepts Mini fuses, Mini bladed circuit breakers, ISO 280 Micro relays and ISO 280 Flashers.  
**Mounting:** Top or side mount options. 10.5mm moulded holes. 2 x M6 threaded mounting clips included. They are removable. Inserted for top mount arrangement. Spare part # PDM-TMC.  
**Housing:** Thermoplastic, black PBT Polyester. **Cover Seal:** Silicone.  
**Ingress Protection Rating:** IP66  
(Valid when properly installed with cover, cable seals and cavity plugs).  
**Wire Size:** #22 - #10 AWG / 0.35mm<sup>2</sup> - 5mm<sup>2</sup>  
**Cavity Plugs:** Required to fill unused output cavities for ingress protection.  
**Cable Seals:** Please check the overall diameter of your cable before ordering cable seals.  
**Terminal Tools:** Terminal crimping & removal tools available.  
**Temperature Rating:** -40°C to +125°C (Module only)  
**Not Included:** Terminals, cable seals, cavity plugs or mounting screws. Module does not include any plug-in components such as fuses, circuit breakers, relays etc.  
**Features:** Gang mount feature. Interconnect multiple modules side-by-side. Terminal numbering on rear of base.  
**Options:** Custom labels and kits. **Approvals:**



**TPA: PDM-ST I**  
Secures 12 Positions



**TETHER: PDM-SCT**  
Links Cover with Base  
(Fitting help on page 3)

Part Number	Description
PDM-S3AC1	PDM Housing 72 Pos, Seal, Cover & 2x Mtg. Clips
PDM-SCT	PDM Tether Black Flexible (110mm - 160mm)
PDM-ST I	TPA Terminal Position Assurance, 6pcs Required
PDM-TK	Diode Key Red Nylon. Drops into PDM Base Slots
I2084201	Tanged Terminal Female (#22-20AWG), 0.35 - 0.5mm <sup>2</sup>
I2077411	Tanged Terminal Female (#18-16AWG), 0.80 - 1.0mm <sup>2</sup>
I2129493	Tanged Terminal Female (#14-12AWG), 2.0 - 3.0mm <sup>2</sup>
I2077413	Tanged Terminal Female (#10AWG), 5.0mm <sup>2</sup>
I5324983	Cable Seal, 1.70 - 1.29mm Cable Diameter Dark Red
I5324982	Cable Seal, 2.85 - 2.03mm Cable Diameter Green
I5324980	Cable Seal, 3.49 - 2.81mm Cable Diameter Grey
I5324981	Cable Seal, 4.30 - 3.45mm Cable Diameter Blue
I2010300	Cavity Plug, 6.7mm Cavity inside Diameter Green

## ACCESSORIES: Delphi Metri-Pack 280

**TERMINALS: TANGED**  
Female Sealed,  
Tin Brass / Tin Plated



**CABLE SEALS:**  
**CAVITY PLUG:**  
Silicone



## RELATED PRODUCTS:



**Mini Fuses, LED Fuses, Circuit Breakers, Transistors, Diodes, Shunts & Diode Key**



**ISO 280 Relays Ultra Micro, Micro & Mini. 12VDC & 24VDC.**



**Terminal, Seal & Plug Kits. TERMKIT003**

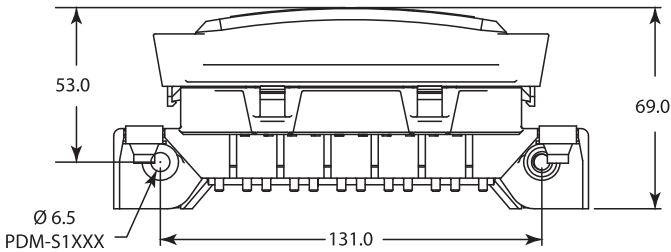
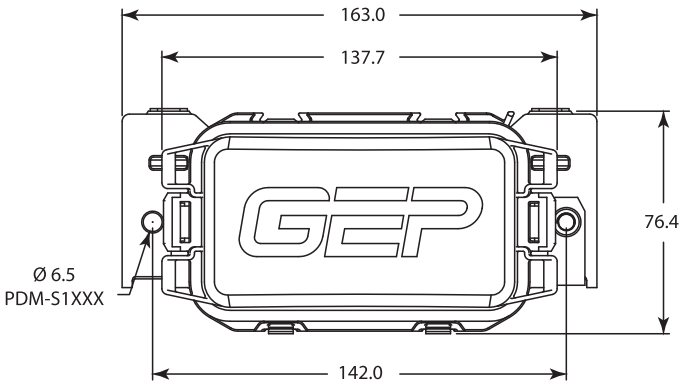
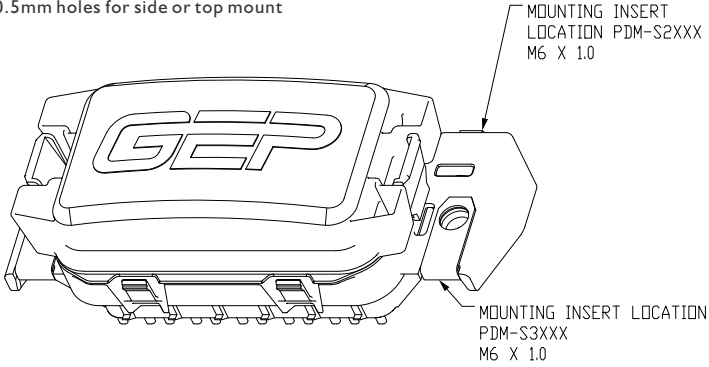


**Tanged Cables, Jumpers, Splice Connectors,**

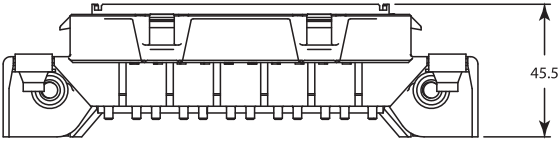


**Crimping Tools & Terminal Removal Tool.**

Series P/N	Mounting Configuration
PDM-S1xxx	6.5mm holes for side or top mount
PDM-S2xxx	Side mount with threaded insert
PDM-S3xxx	Top mount with threaded insert
PDM-S4xxx	10.5mm holes for side or top mount



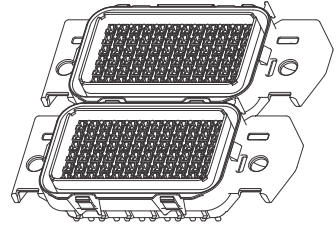
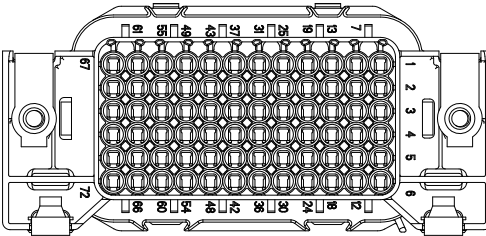
Dimensions in MM



Dimensions in MM

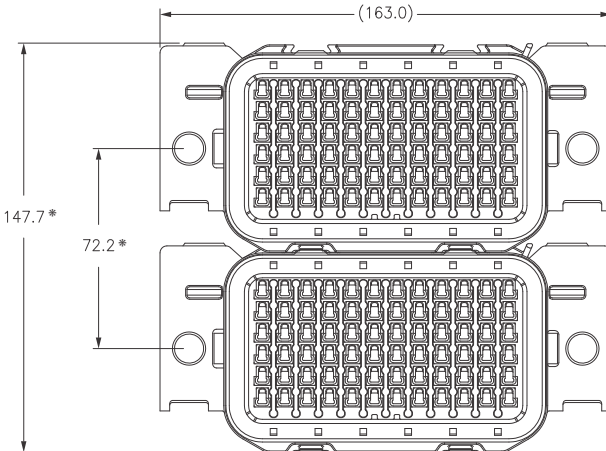


### Terminal Numbering



Units are Gangable

### Ganged Units



\*Dimension increases by 72.2mm for each additional module

**Tether Installation Instructions**



Scan this QR Code

QR Code: 8011

**Component Layout Samples**

	A	B	C	D	E	F	G	H	I	J	K	L
	Empty Module (72 positions)											
1												
2												
3												
4												
5												
6												

	A	B	C	D	E	F	G	H	I	J	K	L
	36 Mini fuses / Circuit Breakers											
1	Fuse	Fuse	Fuse	Fuse	Fuse	Fuse						
2	Fuse	Fuse	Fuse	Fuse	Fuse	Fuse						
3	Fuse	Fuse	Fuse	Fuse	Fuse	Fuse						
4	Fuse	Fuse	Fuse	Fuse	Fuse	Fuse						
5	Fuse	Fuse	Fuse	Fuse	Fuse	Fuse						
6	Fuse	Fuse	Fuse	Fuse	Fuse	Fuse						

	A	B	C	D	E	F	G	H	I	J	K	L
	18 Ultra Micro relays											
1	Ultra Micro Relay	Ultra Micro Relay	Ultra Micro Relay	Ultra Micro Relay	Ultra Micro Relay	Ultra Micro Relay						
2	Ultra Micro Relay	Ultra Micro Relay	Ultra Micro Relay	Ultra Micro Relay	Ultra Micro Relay	Ultra Micro Relay						
3	Ultra Micro Relay	Ultra Micro Relay	Ultra Micro Relay	Ultra Micro Relay	Ultra Micro Relay	Ultra Micro Relay						
4	Ultra Micro Relay	Ultra Micro Relay	Ultra Micro Relay	Ultra Micro Relay	Ultra Micro Relay	Ultra Micro Relay						
5	Ultra Micro Relay	Ultra Micro Relay	Ultra Micro Relay	Ultra Micro Relay	Ultra Micro Relay	Ultra Micro Relay						
6	Ultra Micro Relay	Ultra Micro Relay	Ultra Micro Relay	Ultra Micro Relay	Ultra Micro Relay	Ultra Micro Relay						

	A	B	C	D	E	F	G	H	I	J	K	L
	12 Micro relays											
1	Micro Relay	Micro Relay	Micro Relay	Micro Relay	Micro Relay	Micro Relay						
2	Micro Relay	Micro Relay	Micro Relay	Micro Relay	Micro Relay	Micro Relay						
3	Micro Relay	Micro Relay	Micro Relay	Micro Relay	Micro Relay	Micro Relay						
4	Micro Relay	Micro Relay	Micro Relay	Micro Relay	Micro Relay	Micro Relay						
5	Micro Relay	Micro Relay	Micro Relay	Micro Relay	Micro Relay	Micro Relay						
6	Micro Relay	Micro Relay	Micro Relay	Micro Relay	Micro Relay	Micro Relay						

	A	B	C	D	E	F	G	H	I	J	K	L
	3 Mini relays or Flashers											
1	Mini Relay or Flasher			Mini Relay or Flasher				Mini Relay or Flasher				
2	Mini Relay or Flasher			Mini Relay or Flasher				Mini Relay or Flasher				
3	Mini Relay or Flasher			Mini Relay or Flasher				Mini Relay or Flasher				
4	✕	✕	✕	✕	✕	✕	✕	✕	✕	✕	✕	✕
5												
6												

	A	B	C	D	E	F	G	H	I	J	K	L
	Sample Assortment											
1	Mini Relay or Flasher	Micro Relay	Fuse	Mini Relay or Flasher								
2	Mini Relay or Flasher	Micro Relay	Fuse	Mini Relay or Flasher								
3	Mini Relay or Flasher	Micro Relay	Breaker	Mini Relay or Flasher								
4	✕	✕	✕	✕	✕	✕	✕	✕	✕	✕	✕	✕
5	Micro Relay	Micro Relay	Ultra Micro Relay	Ultra Micro Relay	Fuse							
6	Micro Relay	Micro Relay	Ultra Micro Relay	Ultra Micro Relay	Breaker							

**Component information:**

1. Fuses, Breakers, diodes etc. use 2 positions (1x2).
2. Ultra Micro Relays used 4 positions (2x2).
3. Micro Relays use 6 positions (3x2).

- Unusable position
- Empty position

**Mini Relays & Flasher Relays:**

1. Cannot be fitted directly beside each other.
2. Maximum of 3 can be fitted.
3. Each one covers 12 positions.