

POWER DIST. SEALED MODULE - 96 POSITION

NEW
IP66
58V

Increased power distribution requirements in today's vehicles creates the need for additional component capacity to support electrical system integrity. To meet these increasing power challenges, GEP has released a 96 terminal position module. This new sealed, compact, and rugged module offers more configuration options for transportation and off-road applications.

Voltage Rating: 58VDC **Output Rating:** 30A max per terminal.

Terminal Capacity: 96 terminals on a layout matrix of (8 x 12).
Sited to 2.8mm blades on 8.1mm centerline spacing.

Components: Accepts Mini fuses, Mini bladed circuit breakers, ISO 280 Micro relays and ISO 280 Flashers.

Mounting: Top mount only. 10.5mm moulded holes.

4 x M6 threaded mounting clips included. They are removable.

Mounting clips are factory pre-inserted. Spare part # PDM-TMC.

Housing: Thermoplastic, black PBT Polyester. **Cover Seal:** Silicone.

Ingress Protection Rating: IP66.

(Valid when properly installed with cover, cable seals and cavity plugs).

Wire Size: #22 - #10 AWG / 0.35mm² - 5mm²

Cavity Plugs: Required to fill unused output cavities for ingress protection.

Cable Seals: Please check the overall diameter of your cable before ordering cable seals.

Terminal Tools: Terminal crimping & removal tools available.

Temperature Rating: -40°C to +125°C (Module only)

Not Included: Terminals, cable seals, cavity plugs or mounting screws.

Module does not include any plug-in components such as fuses, circuit breakers, relays etc.

Features: Terminal numbering on rear of base.

Options: Custom labels and kits. **Approvals:**  



96 Way PDM



Top View



Rear View

Part Number	Description
PDM-U3ACI	PDM Housing 96 Pos, Seal, Cover & 4x Mtg. Clips
PDM-SCT	PDM Tether Black Flexible (110mm - 160mm)
PDM-UT I	TPA Terminal Position Assurance. 6pcs Required
PDM-TK	Diode Key Red Nylon. Drops into PDM Base Slots
12084201	Tanged Terminal Female (#22-20AWG), 0.35 - 0.5mm ²
12077411	Tanged Terminal Female (#18-16AWG), 0.80 - 1.0mm ²
12129493	Tanged Terminal Female (#14-12AWG), 2.0 - 3.0mm ²
12077413	Tanged Terminal Female (#10AWG), 5.0mm ²
15324983	Cable Seal, 1.70 - 1.29mm Cable Diameter Dark Red
15324982	Cable Seal, 2.85 - 2.03mm Cable Diameter Green
15324980	Cable Seal, 3.49 - 2.81mm Cable Diameter Grey
15324981	Cable Seal, 4.30 - 3.45mm Cable Diameter Blue
12010300	Cavity Plug, 6.7mm Cavity inside Diameter Green

TPA:PDM-UT I

Secures 16 Positions



TETHER: PDM-SCT

Links Cover with Base



ACCESSORIES: Delphi Metri-Pack 280

TERMINALS: TANGED

Female Sealed,
Tin Brass / Tin Plated



CABLE SEALS:

CAVITY PLUG:

Silicone



RELATED PRODUCTS:



Mini Fuses, LED Fuses, Circuit Breakers, Transistors, Diodes, Shunts & Diode Key



ISO 280 Relays Ultra Micro, Micro & Mini. 12VDC & 24VDC.



Terminal, Seal & Plug Kits. TERMKIT003



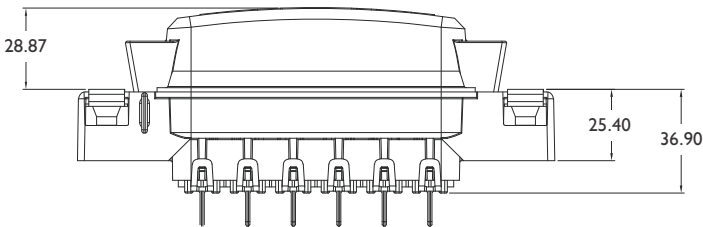
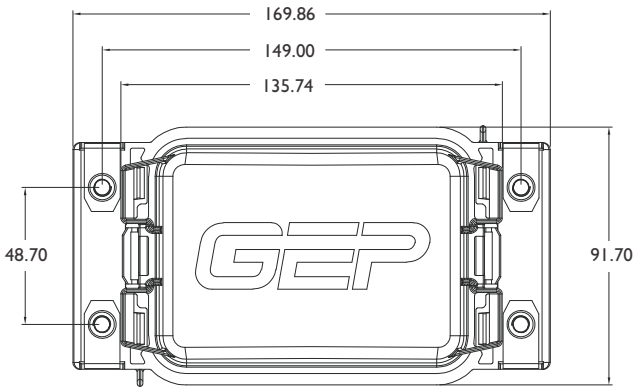
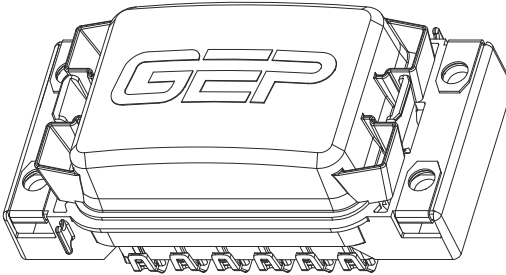
Tanged Cables, Jumpers, Splice Connectors,



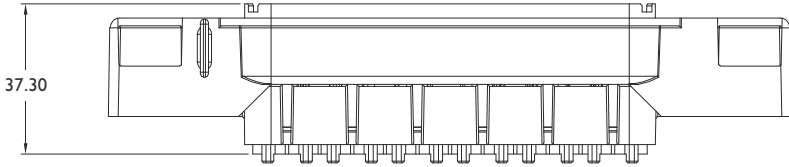
Crimping Tools & Terminal Removal Tool.



Series P/N	Mounting Configuration
PDM-U1xxx	Top mount with 6mm holes, no insert
PDM-U2xxx	N/A
PDM-U3xxx	Top mount with 10mm threaded insert
PDM-U4xxx	Top mount with 10mm holes, no insert

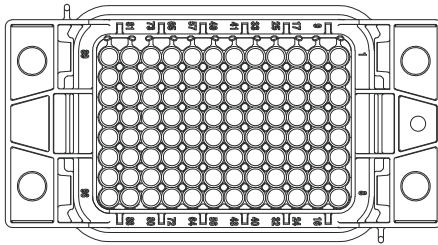


Dimensions in MM



Dimensions in MM

Terminal Numbering



Component Layout Samples



	A	B	C	D	E	F	G	H	I	J	K	L
	Empty Module (96 positions)											
1												
2												
3												
4												
5												
6												
7												
8												

	A	B	C	D	E	F	G	H	I	J	K	L
	48 Mini fuses / Circuit Breakers											
1	Fuse	Fuse	Fuse	Fuse	Fuse	Fuse						
2	Fuse	Fuse	Fuse	Fuse	Fuse	Fuse						
3	Fuse	Fuse	Fuse	Fuse	Fuse	Fuse						
4	Fuse	Fuse	Fuse	Fuse	Fuse	Fuse						
5	Fuse	Fuse	Fuse	Fuse	Fuse	Fuse						
6	Fuse	Fuse	Fuse	Fuse	Fuse	Fuse						
7	Fuse	Fuse	Fuse	Fuse	Fuse	Fuse						
8	Fuse	Fuse	Fuse	Fuse	Fuse	Fuse						

	A	B	C	D	E	F	G	H	I	J	K	L
	24 Ultra Micro relays											
1	Ultra Micro Relay	Ultra Micro Relay	Ultra Micro Relay	Ultra Micro Relay	Ultra Micro Relay	Ultra Micro Relay						
2	Ultra Micro Relay	Ultra Micro Relay	Ultra Micro Relay	Ultra Micro Relay	Ultra Micro Relay	Ultra Micro Relay						
3	Ultra Micro Relay	Ultra Micro Relay	Ultra Micro Relay	Ultra Micro Relay	Ultra Micro Relay	Ultra Micro Relay						
4	Ultra Micro Relay	Ultra Micro Relay	Ultra Micro Relay	Ultra Micro Relay	Ultra Micro Relay	Ultra Micro Relay						
5	Ultra Micro Relay	Ultra Micro Relay	Ultra Micro Relay	Ultra Micro Relay	Ultra Micro Relay	Ultra Micro Relay						
6	Ultra Micro Relay	Ultra Micro Relay	Ultra Micro Relay	Ultra Micro Relay	Ultra Micro Relay	Ultra Micro Relay						
7	Ultra Micro Relay	Ultra Micro Relay	Ultra Micro Relay	Ultra Micro Relay	Ultra Micro Relay	Ultra Micro Relay						
8	Ultra Micro Relay	Ultra Micro Relay	Ultra Micro Relay	Ultra Micro Relay	Ultra Micro Relay	Ultra Micro Relay						

	A	B	C	D	E	F	G	H	I	J	K	L
	16 Micro relays											
1	Micro Relay	Micro Relay	Micro Relay	Micro Relay								
2	Micro Relay	Micro Relay	Micro Relay	Micro Relay								
3	Micro Relay	Micro Relay	Micro Relay	Micro Relay								
4	Micro Relay	Micro Relay	Micro Relay	Micro Relay								
5	Micro Relay	Micro Relay	Micro Relay	Micro Relay								
6	Micro Relay	Micro Relay	Micro Relay	Micro Relay								
7	Micro Relay	Micro Relay	Micro Relay	Micro Relay								
8	Micro Relay	Micro Relay	Micro Relay	Micro Relay								

	A	B	C	D	E	F	G	H	I	J	K	L
	6 Mini relays or Flashers											
1	Mini Relay or Flasher	Mini Relay or Flasher	Mini Relay or Flasher	Mini Relay or Flasher	Mini Relay or Flasher	Mini Relay or Flasher	Mini Relay or Flasher	Mini Relay or Flasher	Mini Relay or Flasher	Mini Relay or Flasher	Mini Relay or Flasher	Mini Relay or Flasher
2												
3												
4												
5	Mini Relay or Flasher	Mini Relay or Flasher	Mini Relay or Flasher	Mini Relay or Flasher	Mini Relay or Flasher	Mini Relay or Flasher	Mini Relay or Flasher	Mini Relay or Flasher	Mini Relay or Flasher	Mini Relay or Flasher	Mini Relay or Flasher	Mini Relay or Flasher
6												
7												
8												

	A	B	C	D	E	F	G	H	I	J	K	L
	Sample Assortment											
1	Micro Relay	Fuse	Mini Relay or Flasher	Mini Relay or Flasher	Mini Relay or Flasher	Mini Relay or Flasher	Mini Relay or Flasher	Mini Relay or Flasher	Mini Relay or Flasher	Mini Relay or Flasher	Mini Relay or Flasher	Mini Relay or Flasher
2		Fuse										
3	Micro Relay	Breaker	Mini Relay or Flasher	Mini Relay or Flasher	Mini Relay or Flasher	Mini Relay or Flasher	Mini Relay or Flasher	Mini Relay or Flasher	Mini Relay or Flasher	Mini Relay or Flasher	Mini Relay or Flasher	Mini Relay or Flasher
4		Breaker										
5	Micro Relay	Ultra Micro Relay	Ultra Micro Relay	Fuse	Micro Relay	Micro Relay	Micro Relay	Micro Relay	Micro Relay	Micro Relay	Micro Relay	Micro Relay
6				Breaker								
7	Micro Relay	Fuse	Fuse	Fuse	Micro Relay	Micro Relay	Micro Relay	Micro Relay	Micro Relay	Micro Relay	Micro Relay	Micro Relay
8		Fuse	Fuse	Fuse								

⊗ Unusable position □ Empty position

Component information:

1. Fuses, Breakers, diodes etc. use 2 positions (1x2).
2. Ultra Micro Relays used 4 positions (2x2).
3. Micro Relays use 6 positions (3x2).

Mini Relays & Flasher Relays:

1. Cannot be fitted directly beside each other.
2. Maximum of 6 can be fitted.
3. Each one covers 12 positions.