

# MASTER DISCONNECT SWITCH 12-48VDC



48V

NEW

IP67

IP69K

The Littelfuse Master Disconnect 2 Pole Switch cuts all battery power from vehicle electrical systems with applications needing switching of two circuits. Can be used to switch two vehicle voltage circuits simultaneously (24V & 12V). Disconnect a battery or multiple batteries, in either the positive or the negative line.

## Features

- 500A continuous current rating per circuit.
- Ingress protection to IP67 and IP69K means that the switch can be mounted in exposed locations on the vehicle.
- Drop-in replacement for competitive Master Disconnect Switches, with higher vibration and shock capabilities.
- Direct lockout/tagout capability in On or Off position, with padlock or hasp.

Part Number	Amperage	Switch Circuit	Ingress Rating	Mount	Actuator Colour
880175	500A	DPST	IP67 / IP69K	Surface	Black ■
880175-0001	500A	DPST	IP67 / IP69K	Surface	Red ■
880175-0002	500A	DPST	IP67 / IP69K	Surface	Yellow ■



880175

**Voltage:** 48VDC.

### Max Continuous Current Ratings:

500A per circuit with 2 x 4/0 input and 2 x 4/0 output cables.

350A per circuit with 1 x 4/0 input and 1 x 4/0 output cables.

**Terminal Stud Size:** M12 x 25mm.

**Terminal Studs:** Tin-plated copper

**Hardware:** Stainless steel nuts (included)

**Ingress Protection Rating:** IP67 / IP69K.

**Inrush Rating (1 sec):** 3,000A per circuit with 2 x 4/0 + 1 x 2 AWG.

**Cranking rating (30 sec):**

2,250A per circuit with 2 x 4/0 input and 2 x 4/0 output cables.

1,750A per circuit with 1 x 4/0 input and 1 x 4/0 output cables.

**Temperature Rating:** -50 °C to +85 °C, DC-Rated to 105 °C.

**Recommended Terminal Torque:** 20 Nm (30Nm max).

**Recommended Mounting Torque:** 15Nm (20Nm max).

**Notes:** Ambient temperature can reach 105 °C with appropriate derating. Stud terminals must never exceed 125 °C under any condition.



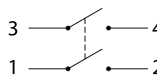
880175-0001



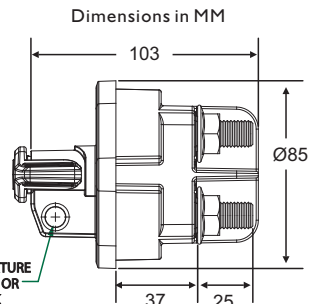
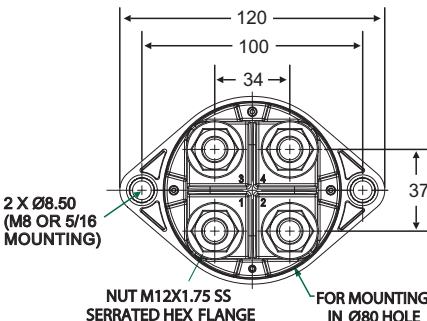
880175-0002



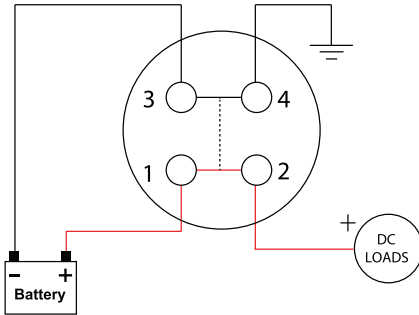
### Internal Switch Circuit Diagram



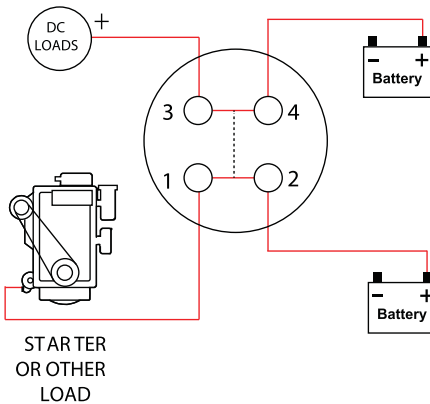
Please refer to page 2 for wiring configurations.



Wiring Configurations



Master Battery Disconnect Dual Pole  
Switching One Battery, Positive and Negative  
(shown in ON state)



Master Battery Disconnect Dual Pole  
Switching Two Batteries  
(shown in ON state)