

POWER DIST. SEALED MODULE - 92 POSITIONS



NEW
IP66
58V

This module can be fitted with 6 x Auto Fuses in addition to the 80 position open layout to fit Mini fuses, Mini bladed circuit breakers, ISO 280 Micro relays and ISO 280 Flashers in any configuration you like. The module is sealed, compact, and rugged module offers more configuration options for transportation and off-road applications.

Voltage Rating: 58VDC **Output Rating:** 30A max per terminal.

Terminal Capacity: 92 positions in total.

80 x 280 Metri-Pack cavities on a layout matrix of (8 x 10)

Positions suited to 2.8mm blades on 8.1mm centerline spacing.

12 x 630 Metri-Pack cavities suit Auto blade fuses (6 x 2)

Positions suited to 6.3mm blades staggered layout.

Components: Accepts 6 x Auto Fuses and a combination of Mini fuses, Mini bladed circuit breakers, ISO 280 Ultra Micro and ISO 280 Micro relays and ISO 280 Flashers.

Top Mounting Options: 10.5mm moulded holes.

4 x M6 threaded mounting clips included. They are removable.

Mounting clips are factory pre-inserted. Spare part # PDM-TMC.

Housing: Thermoplastic, black PBT Polyester.

Cover Seal: Silicone.

Ingress Protection Rating: IP66.

(Valid when properly installed with cover, cable seals and cavity plugs).

Wire Size: #22 - #10 AWG / 0.35mm² - 5mm²

Cavity Plugs: Required to fill unused output cavities for ingress protection.

Cable Seals: Please check the overall diameter of your cable before ordering cable seals.

Terminal Tools: Terminal crimping & removal tools available.

Temperature Rating: -40°C to +125°C (Module only)

Not Included: Terminals, cable seals, cavity plugs or mounting screws.

Module does not include any plug-in components such as fuses, circuit breakers, relays etc.

Features: Terminal numbering on rear of base.

Options: Custom labels and kits.

Approvals:

6 x Auto Fuses

Flexible layout for Mini fuses, Relays etc.



92 Way Housing



Assembled PDM With Plain Cover



Housing Rear View

Part Number	Description
PDM-U3FC1	PDM Housing 92 Pos, Seal, Cover & 4x M6 Mtg. Clips
PDM-U4FC1	PDM Housing 92 Pos, Seal, Cover & 4x M10 Mtg. Holes
PDM-SCT	PDM Tether Black Flexible (110mm - 160mm)
PDM-UT1	TPA Terminal Position Assurance. 5pcs Required
PDM-UT5	TPA Terminal Position Assurance. 1pcs Required
PDM-TK	Diode Key Red Nylon. Drops into PDM Base Slots
PDM-TMC	M6 Threaded Mounting Clip. 4 Required Per PDM

Please refer to page 2 for Terminals, Seals & Cavity Plugs



TPA:PDM-UT1
Secures 16 Positions



TPA:PDM-UT5
Secures 12 Positions



TETHER:PDM-SCT
Links Cover with Base



M6 MOUNTING CLIP
Snap locks into M10 holes

RELATED PRODUCTS:



Auto Fuses, Mini Fuses, Mini Circuit Breakers, Transorbs, Diodes, Shunts & Diode Key



ISO 280 Relays Ultra Micro, Micro & Mini. 12VDC & 24VDC.



Terminal, Seals & Cavity Plugs.



Tanged Cables, Jumpers, Splice Connectors



Crimping Tools & Terminal Removal Tool.

TERMINALS & SEALS FOR MINI / 280 COMPONENTS (80 POSITIONS)

Suits 80 positions on module (1pc per position)

TERMINALS: Delphi Metri-Pack 280

Female Sealed Tanged - Tin Brass /Tin plated



Part Number	Wire (AWG)	Wire (mm ²)
12084201	#22 - #20	0.35 - 0.5
12077411	#18 - #16	0.80 - 1.0
12129493	#14 - #12	2.0 - 3.0
12077413	#10	5.0

CABLE SEALS

Silicone



Part Number	Cable Dia.(mm)	Colour
15324983	1.70 - 1.29	Dark Red
15324982	2.85 - 2.03	Green
15324980	3.49 - 2.81	Grey
15324981	4.30 - 3.45	Blue

CAVITY PLUG

Silicone



Cavity Plugs (bulk)	Colour
12010300	Green

TERMINALS & SEALS FOR AUTO FUSES (12 POSITIONS)

Suits Auto Fuse positions on module (2pcs per fuse)

TERMINALS: Delphi Metri-Pack 630

Female sealed - Tin Brass /Tin plated



Part Number	Wire (AWG)	Wire (mm ²)
12052457	#20 - #18	0.5 - 0.8
12052455	#16 - #14	1.0 - 2.0
12052456	#12 - #10	3.0 - 5.0

NOTE: The Auto Fuse cavities in this are designed for use with Delphi Metri-Pack 630 terminals and Delphi Metri-Pack 480 seals and plugs.

CABLE SEALS: Delphi Metri-Pack 480

Silicone



Part Number	Cable Dia.(mm)	Colour
15324987	4.40 - 5.16mm	Orange
15324990	3.61 - 4.50mm	Purple
15324989	2.81 - 3.76mm	Red
15324988	2.01 - 2.85mm	White
15324991	1.60 - 2.15mm	Yellow

CAVITY PLUG: Delphi Metri-Pack 480

Silicone

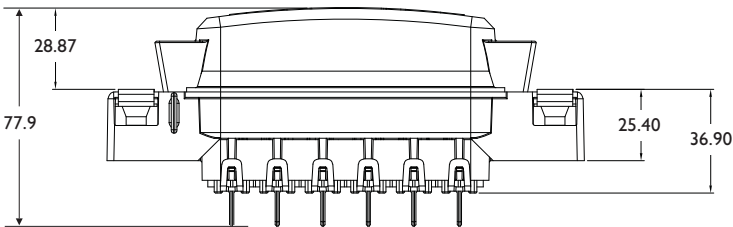
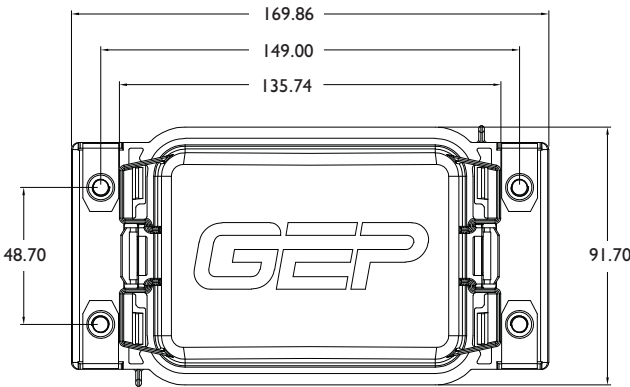
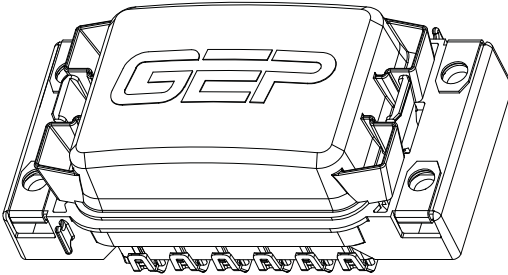
Part Number
35232480



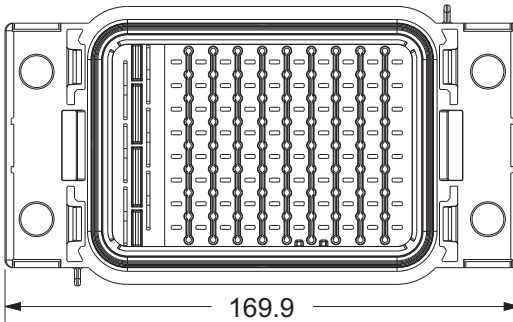
POWER DIST. SEALED MODULE - 96 POSITION



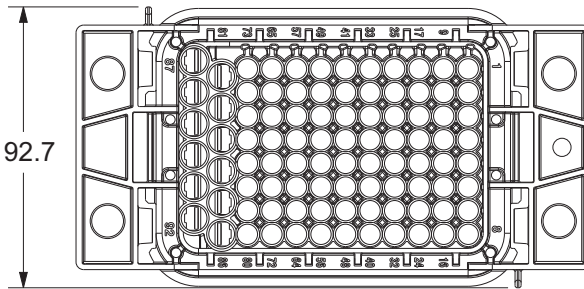
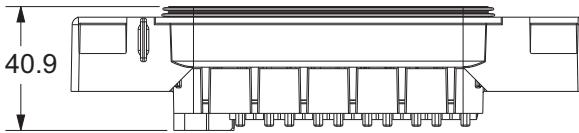
Series P/N	Mounting Configuration
PDM-U3xxx	Top mount with 6mm threaded insert
PDM-U4xxx	Top mount with 10mm holes, no insert



Dimensions in MM



Dimensions in MM



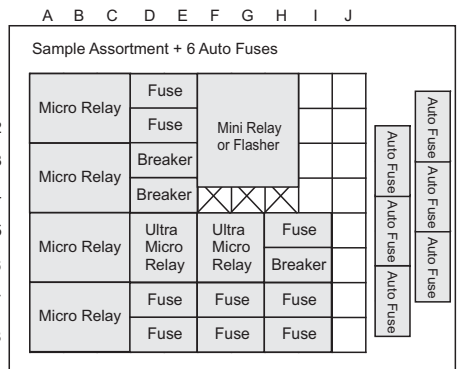
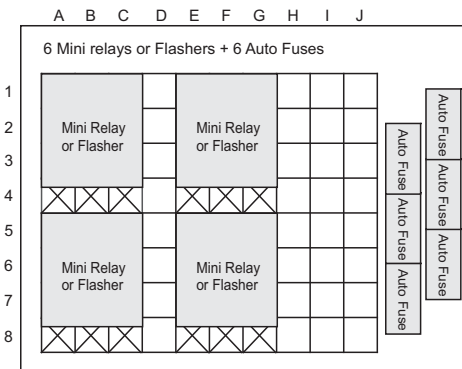
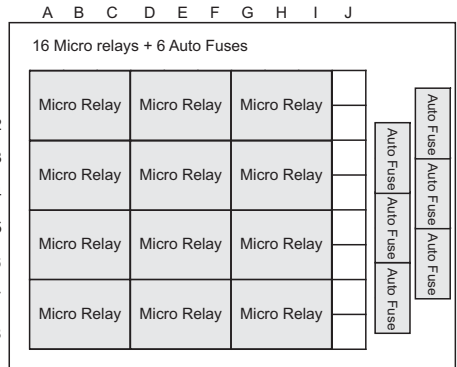
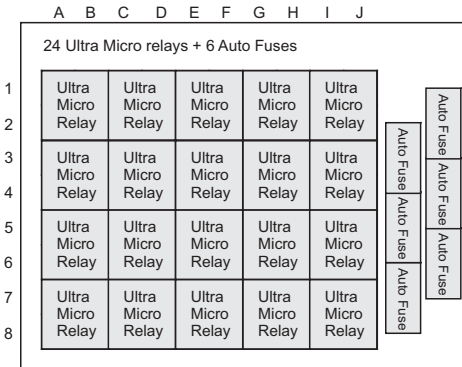
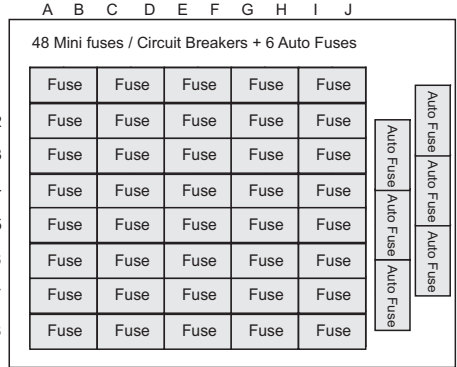
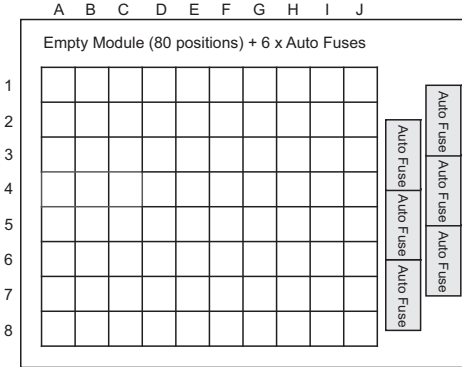
Terminal Numbering

Tether Installation Instructions

Scan this QR Code

QR Code: 8011

Component Layout Samples



⊗ Unusable position □ Empty position

Component information:

1. Fuses, Breakers, diodes etc. use 2 positions (1x2).
2. Ultra Micro Relays use 4 positions (2x2).
3. Micro Relays use 6 positions (3x2).

Mini Relays & Flasher Relays:

1. Cannot be fitted directly beside each other.
2. Maximum of 6 can be fitted.
3. Each one covers 12 positions.