

FUSED POWER DIST. MODULE SEALED - 4 WAY

PROLEC

Applications:

Heavy-Duty / Medium-Duty Trucks, Material Handling Equipment, Marine Craft, Electric Power Sports Vehicles, Small Construction, Agricultural Equipment, Golf Carts, Electric Lawn and Garden Equipment.

Features:

- Accommodates low to medium current fuses. 15A to 60A.
- Accommodates 4 x Mcase Slotted fuses (slow acting).
- Internal bussing. One input stud connection powers four fuse circuits.
- Secondary lock is included to secure each wire terminal in the holder.
- The holder is a sealed module. IP67 / IP6K9K.



**M6 Stud
Input Busbar**

Voltage: 32VDC

Rating Continuous: 125A **Rating Maximum:** 160A

Rating Maximum Per Circuit: 40A

Temperature Rating: -40°C to +105°C.

Flammability Rating: Black thermoplastic UL 94V-0.

Mounting: Panel mount with screw mount bracket M6.

Cover Gasket: Green silicone.

Ingress Protection Rating: IP67, IP6K9K

When cover, cable seals & cavity plugs are installed.

Input Stud: M6 Zinc plated steel (torque: 5-7Nm).

Wire Size: 1-6mm²

Secondary Lock: PA66 (TPA included).

Cable Seals: Please check the overall diameter of your cable before ordering cable seals.

Cavity Plugs: Required to fill unused output cavities for ingress protection.

Notes: Terminals, cable seals, cavity seals & fuses are not included.

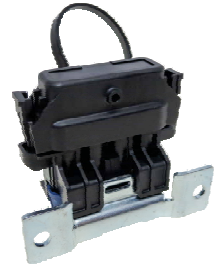
Approvals: [RoHS](#)



PDMKIT201

Part Number	Module Kit Contents
PDMKIT201	Base + Seal, Finger Release Cover, 90° Bracket, Tether, TPA Terminal Position Assurance Blue Terminals (4 x 1-962919-2), Cable Seals (4 x 1394512-1), Cavity Plug (1 x 967652-1)

Cover with Label Recess



Part Number	Description	Material
1-962918-2	Barbed Terminal Male (#16-14AWG), 1.5 - 2.5mm ²	CuSn4
1-962919-2	Barbed Terminal Male (#14-12AWG), 2.5 - 4.0mm ²	CuSn4
2-2112966-2	Barbed Terminal Male (#12-10AWG), 4.0 - 6.0mm ²	CuFe2
2177018-1	Cable Seal, 1.4 - 2.0mm Cable Diameter Yellow	Silicone
1394512-1	Cable Seal, 3.4 - 3.7mm Cable Diameter Blue	Silicone
1719043-1	Cable Seal, 4.0 - 4.5mm Cable Diameter Green	Silicone
967652-1	Cavity Plug, 8.5mm Cavity Diameter Clear	Silicone

TERMINALS: AMP MCP 6.3/4.8K

Male Sealed - Silver Plated



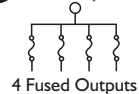
CABLE SEALS / Cavity Plugs:

Cavity Size 8.5mm



Circuit Diagram

Power Input



RELATED PRODUCTS:



**Mc case
Slotted Fuse**



**Mc case
Slotted Shunt**



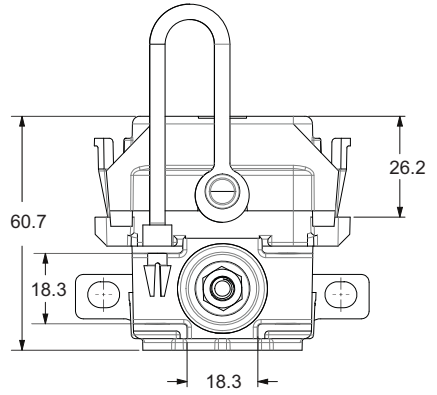
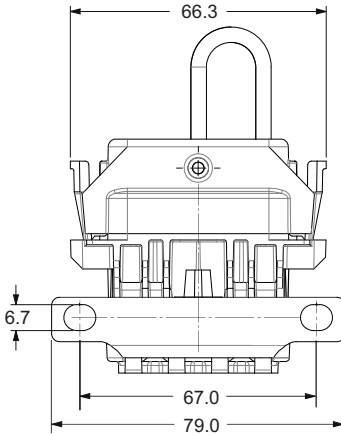
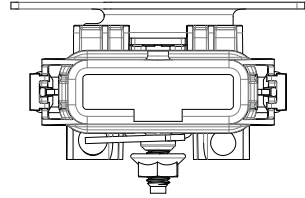
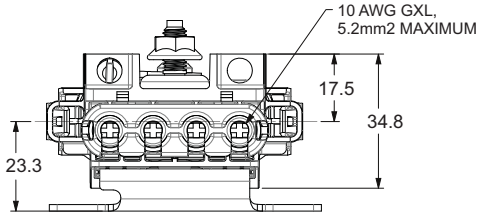
**Mc case
Assortment Pack**



**Mc case
Assortment Kit**



**Mc case
Fuse Puller**



Dimensions in MM

