

# FUSED BATTERY DISTRIBUTION UNITS - 3 WAY

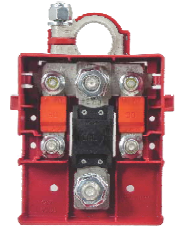
MTA

Create 3 fuse protected outputs straight from your positive battery post. Ideal for use when installing auxiliary accessories or connecting to a secondary battery. Includes three studs (1 x M8, 2 x M5) to ensure quick connection. Makes a professional and practical installation for fused power distribution. Perfect for 4WDs and caravans where many accessories or dual battery systems are in use.

- Suits 2 x Midi fuses and 1 x Mega fuse or Powerval fuse.
- Durable clip-on cover with distinct red housing.
- Cable feeds through slots in the housing.
- Double ring (19mm) connection to positive top post battery terminal.
- Fully insulated cap prevents accidental short circuits.
- Saves money by using one product that does the same as a battery terminal, terminated cable and a fuse box.



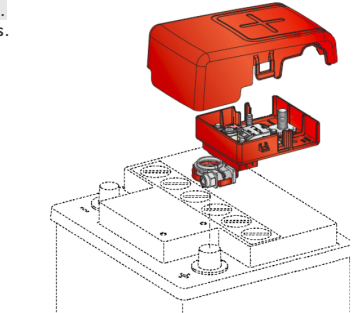
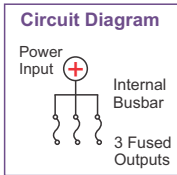
BDU Cover.



BDU base with fuses fitted.

Part Number	Description
00011	3 Way Battery Dist. Unit & (+) Red Cover Only. No fuses.
00011FDUK	Kit Inc. - BDU + Cover, 1 x POWCAL2, 2 x MID030 Fuses.

**Note:** Battery Distribution Unit includes 4 x M5 nuts with nylon insert, 2 x M8 nuts, 1 x M8 washer, busbar & housing. Fuses are not included.



Busbar feature supplies power to all three fuse positions.

Sample installation (with cover removed)

## RELATED PRODUCTS:



**Midi fuse**  
See page 27

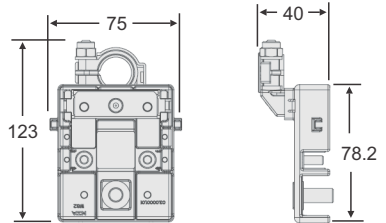


**Mega fuse**  
See page 28



**Powerval**  
See page 28

Dimensions in MM



## 3 Way Nonfused Power Distribution Post Mounted BDU



(+) Positive BDU Kit



(-) Negative BDU Kit

For further information see page 138.