

FUSED BATTERY DISTRIBUTION UNIT 3 WAY STUD SIDE MOUNT

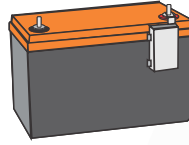


NEW

Features:

- Suits up to 3 x Midi fuses 32Vdc.
- Includes cover and internal adhesive label.
- Include 90 degree copper tin plated busbar.
- Angled busbar saves valuable bonnet space.
- Cable feeds through slots in the housing.
- Small size with easy access durable clip on lid.
- Includes 6 x M5 self locking nylon flanged nuts.

90 Degree Busbar M8



Side Mount



Part Number	Description
0300468	3 Way Midi Fuse Housing & 90° Busbar

Voltage: 32VDC

Rating: 90A Max at 85°C.

Hardware: Includes M5 flanged nuts.

Studs: M5 threaded zinc plated steel studs.

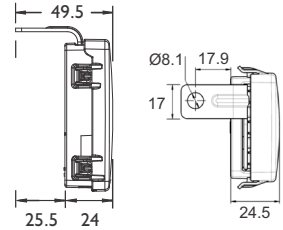
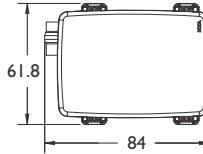
Flammability: UL94

Wire Size: 8mm² to 35mm²

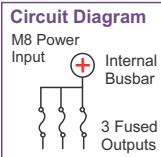
Operating Temperature: -30°C to +120°C

Pack Size: 1, 10, 100

Notes: Fuses are not included.



Clip On Cover



Dimensions in MM

RELATED PRODUCTS:

M8



Midi fuse
See page 24



3 Way Post Terminal
See page 162

FUSED BATTERY DISTRIBUTION UNIT 3 WAY POST MOUNT



Features:

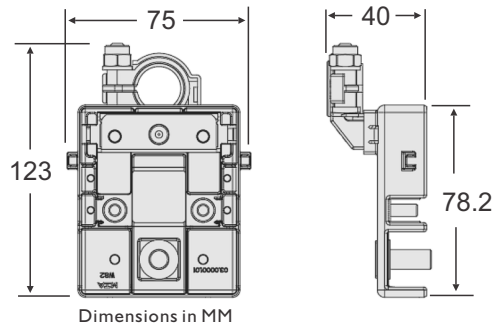
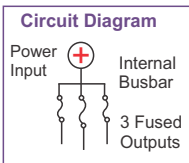
- Suits 2 x Midi fuses and 1 x Mega fuse or Powerval fuse.
- Includes durable clip-on cover with distinct red housing.
- Cable feeds through slots in the housing.
- Double ring (19mm) connection to positive top post battery terminal.
- Fully insulated cap prevents accidental short circuits.
- Saves money by using one product that does the same as a battery terminal, terminated cable and a fuse box.

Note: Fused BDU includes 4 x M5 nuts with nylon insert, 2 x M8 nuts, 1 x M8 washer, busbar & housing. Fuses are not included.



Base shown with fuses fitted

Part Number	Description
00011	3 Way Battery Dist. Unit & (+) Red Cover Only. No fuses.
00011FDUK	Kit Inc. - BDU + Cover, 1 x POWCAL2, 2 x MID030 Fuses.



Dimensions in MM

RELATED PRODUCTS:



Midi fuse
See page 24



Mega fuse
See page 25



Powerval
See page 26

