

Heavy-duty ground or power connection points for DC circuits. Compact profile with insulated base. Ideal for creating a centralized power distribution or grounding point.

Single Stud

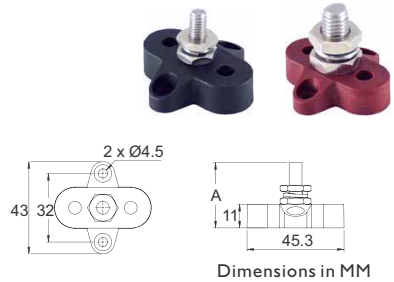
Part Number	Body Colour	Thread Size	Height A (mm)
JBSM6B	Black	M6	30
JBSM6R	Red	M6	30
JBSM8B	Black	M8	31
JBSM8R	Red	M8	31
JBSM10B	Black	M10	34
JBSM10R	Red	M10	34

Voltage: 48 VDC max.

Rating: Ampere rating is determined by cable used.

Body: Nylon, glass fibre reinforced.

Studs & Hardware: Stainless steel



Double Stud

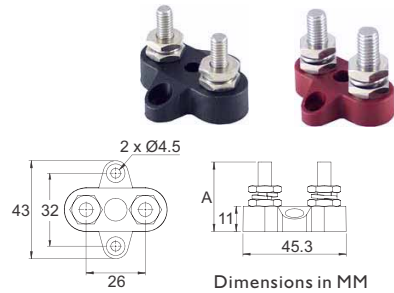
Part Number	Body Colour	Thread Size	Height A (mm)
JBDM6B	Black	2 x M6	30
JBDM6R	Red	2 x M6	30
JBDM8B	Black	2 x M8	31
JBDM8R	Red	2 x M8	31

Voltage: 48 VDC max.

Rating: Ampere rating is determined by cable used.

Body: Nylon, glass fibre reinforced.

Studs & Hardware: Stainless steel



Double Stud With 80A Link

Part Number	Body Colour	Thread Size	Height A (mm)
JBDBM6B	Black	2 x M6	30
JBDBM6R	Red	2 x M6	30
JBDBM8B	Black	2 x M8	31
JBDBM8R	Red	2 x M8	31

Voltage: 48 VDC max.

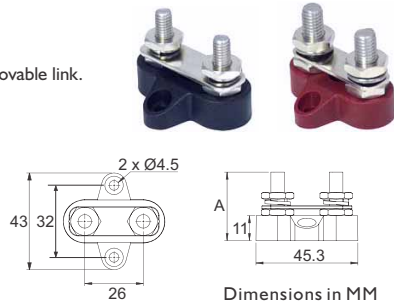
Link Rating: 80A max.

Body: Nylon, glass fibre reinforced.

Studs & Hardware: Stainless steel

Feature:

Includes removable link.



Double Stud With Barrier

Part Number	Body Colour	Thread Size	Height A (mm)
JBDPM8B	Black	2 x M8	32.5
JBDPM8R	Red	2 x M8	32.5
JBDPM10B	Black	2 x M10	35.5
JBDPM10R	Red	2 x M10	35.5
JBDPM810B	Black	1 x M8 + 1 x M10	35.5
JBDPM810R	Red	1 x M8 + 1 x M10	35.5

Voltage: 48 VDC max.

Rating: Ampere rating is determined by cable used.

Body: Nylon, glass fibre reinforced.

Studs & Hardware: Stainless steel

