

# BATTERY DISCONNECT SWITCH 24VDC



**NEW**

**IP67**

**IP69K**

250A-500A bipolar disconnect switch with fixed or removable handle. Modern design, made of high performance materials in terms of resistance to high temperatures, chemical and atmospheric agents. This battery master switch represents an evolution of our expertise and is also supplied in up to 500A DC version.

## Features

- Product series features modern advancements in the design evolution of manual battery disconnects.
- Smartkey allows operator to make the handle removable or fixed, locking it in either the OFF or ON position.
- Protective rubber cap with an auto-protection feature ensures dirt protection when the handle is inserted.
- Up to 500A continuous current.
- IP69K rating for high pressure wash.

## Applications

Heavy Trucks    Off-Road    Construction    Material Handling  
Mining Vehicles    Agriculture    Marine    Emergency Vehicles

Part Number	Amperage	Intermittent Current	Circuitry	Ingress Rating	Mounting	Silver Plated Copper Terminals
08084300	250A	1000A at 10s	DPST	IP67/IP69K	Flange	M10
08084400	500A	1500A at 10s	DPST	IP67/IP69K	Flange	M12

**Voltage:** 24VDC.

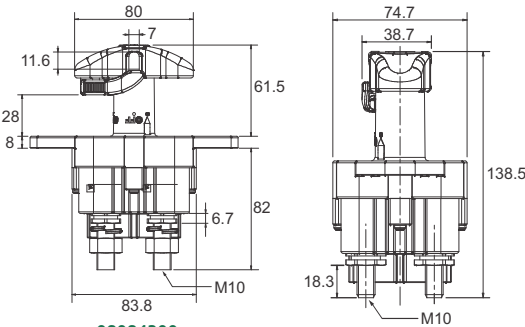
**Terminal Stud Size:** noted above.

**Terminal Studs:** Tin-plated copper

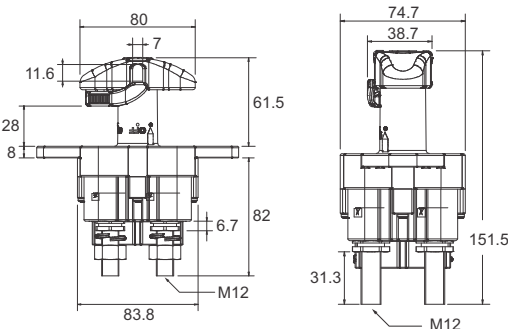
**Hardware:** Stainless steel nuts (included)

**Ingress Protection Rating:** IP67 / IP69K.

**Temperature Rating:** -40 °C to +85 °C



**08084300**

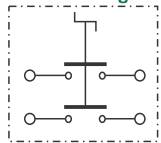


**08084400**

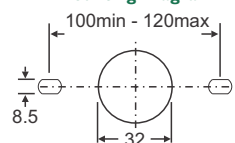
Dimensions in MM



## Electrical Diagram



## Mounting Diagram



RELAY + SWITCH



Email: [info@prolecproducts.com.au](mailto:info@prolecproducts.com.au)  
Web: [www.prolecproducts.com.au](http://www.prolecproducts.com.au)