

### Features:

- Miniature size panel mount or dash mount. Snap mount also available upon request.
- Wide range of common amperages 3A-40A suitable for both AC & DC voltages.
- Custom versions with alternative termination, mounting, button and reset options are also available.

### 3/8"-27 Bushing 1/4" QC Straight Terminal (THII)

Part Number	Part Number	Part Number	Part Number	Ampere Rating
1480-103-030	1480-123-030	1400-103-030	1400-103-030	3A
1480-103-040	1480-123-040	1400-103-040	1400-103-040	4A
1480-103-050	1480-123-050	1400-103-050	1400-103-050	5A
1480-103-060	1480-123-060	1400-103-060	1400-103-060	6A
1480-103-070	1480-123-070	1400-103-070	1400-103-070	7A
1480-103-080	1480-123-080	1400-103-080	1400-103-080	8A
1480-103-100	1480-123-100	1400-103-100	1400-103-100	10A
1480-103-120	1480-123-120	1400-103-120	1400-103-120	12A
1480-103-150	1480-123-150	1400-103-150	1400-103-150	15A
1480-103-160	1480-123-160	1400-103-160	1400-103-160	16A
1480-103-200	1480-123-200	1400-103-200	1400-103-200	20A
1580-101-250	1580-131-250	1500-101-250	1500-101-250	25A
1580-101-300	1580-131-300	1500-101-300	1500-101-300	30A
1580-101-350	1580-131-350	1500-101-350	1500-101-350	35A
1580-101-400	1580-131-400	1500-101-400	1500-101-400	40A

### 3/8"-27 Bushing # Screw - Bent 90° Terminal (THII)

Part Number	Part Number	Part Number	Part Number	Ampere Rating
1480-103-030	1480-123-030	1400-103-030	1400-103-030	3A
1480-103-040	1480-123-040	1400-103-040	1400-103-040	4A
1480-103-050	1480-123-050	1400-103-050	1400-103-050	5A
1480-103-060	1480-123-060	1400-103-060	1400-103-060	6A
1480-103-070	1480-123-070	1400-103-070	1400-103-070	7A
1480-103-080	1480-123-080	1400-103-080	1400-103-080	8A
1480-103-100	1480-123-100	1400-103-100	1400-103-100	10A
1480-103-120	1480-123-120	1400-103-120	1400-103-120	12A
1480-103-150	1480-123-150	1400-103-150	1400-103-150	15A
1480-103-160	1480-123-160	1400-103-160	1400-103-160	16A
1480-103-200	1480-123-200	1400-103-200	1400-103-200	20A
1580-101-250	1580-131-250	1500-101-250	1500-101-250	25A
1580-101-300	1580-131-300	1500-101-300	1500-101-300	30A
1580-101-350	1580-131-350	1500-101-350	1500-101-350	35A
1580-101-400	1580-131-400	1500-101-400	1500-101-400	40A

### 7/16"-28 Bushing 1/4" QC Straight Terminal (THII)

Part Number	Part Number	Part Number	Part Number	Ampere Rating
1480-103-030	1480-123-030	1400-103-030	1400-103-030	3A
1480-103-040	1480-123-040	1400-103-040	1400-103-040	4A
1480-103-050	1480-123-050	1400-103-050	1400-103-050	5A
1480-103-060	1480-123-060	1400-103-060	1400-103-060	6A
1480-103-070	1480-123-070	1400-103-070	1400-103-070	7A
1480-103-080	1480-123-080	1400-103-080	1400-103-080	8A
1480-103-100	1480-123-100	1400-103-100	1400-103-100	10A
1480-103-120	1480-123-120	1400-103-120	1400-103-120	12A
1480-103-150	1480-123-150	1400-103-150	1400-103-150	15A
1480-103-160	1480-123-160	1400-103-160	1400-103-160	16A
1480-103-200	1480-123-200	1400-103-200	1400-103-200	20A
1580-101-250	1580-131-250	1500-101-250	1500-101-250	25A
1580-101-300	1580-131-300	1500-101-300	1500-101-300	30A
1580-101-350	1580-131-350	1500-101-350	1500-101-350	35A
1580-101-400	1580-131-400	1500-101-400	1500-101-400	40A

### 1/4" Quick Connect Straight Terminal



### #6-32 & #8-32 Screw Bent 90° Terminal



### Weatherproof Boot Options\*

Part Number	Description
1680-318-1	3/8"-27 Clear
1680-330-1	3/8"-27 Black
1600-382-1	7/16"-28 Clear
1600-382-2	7/16"-28 Black

### Clear Magnified



### Black



18  
15.7

### Rear



### Front



**Voltage:** 250VAC / 50VDC.

**I.R.:** 1kA at 250VAC / 50VDC.

**Reset Mechanism:** Type III, Manual Reset.

**Button:** White button with black ampere rating stamp.

**Mounting:** Panel mount - includes Pal nut & Knurl nut.

**Terminals (Quick Connect):** 3A-40A (6.3mm).

**Terminals (Screw):** 3A-20A (#6-32), 25A-40A (#8-32).

Screw terminals include screws & lock washers.

**Features:** Ignition Protected UL 1500.

**Optional:** Ampere ratings (500mA-2.5A & 45A-70A).

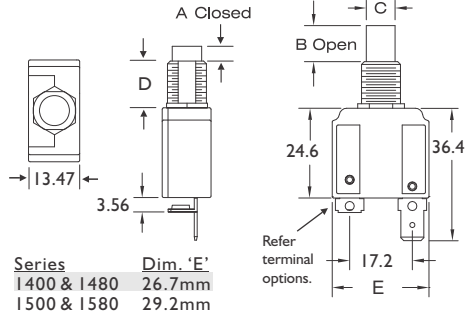
**Pack Size:** Stock lines 1pc, Indent items 50pcs.

**Approvals:**

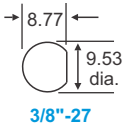
(3A & 4A at 250VAC / 50VDC)

(5A to 20A at 250VAC / 50VDC)

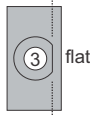
(25A to 40A at 250VAC / 50VDC)



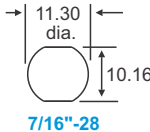
### Panel Cutout 3/8"-27 Bushing



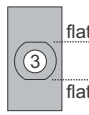
### Reset Button W/Amp Stamp



### Panel Cutout 7/16"-28 Bushing



### Reset Button W/Amp Stamp



Dimensions in MM

Bushing	A	B	C	D
3/8"-27	0.76	6.10	6.10	10.3
7/16"-28	4.07	8.64	7.63	12.8

Scan this QR Code for more information



QR Code: 10001

### RELATED PRODUCTS:

**Breaker Panels** Unpopulated 12 position breaker panels see page 173.



### Hardware Options

- Knurl Nut Sml Aluminum
- Knurl Nut Lrg Black Nylon
- Name Plate Aluminum
- Pal Nut Aluminum