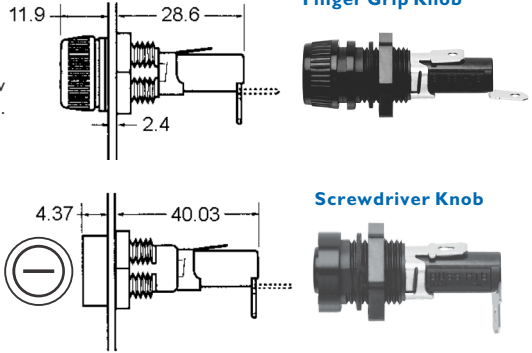


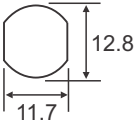
# 3AG FUSE HOLDERS PANEL MOUNT

Part Number	Knob Type	Terminal Type / Angle
HTB-261-R	Fingergrip	1/4" Q/C (6.35mm) Straight
HTB-221-R	Fingergrip	3/16" Q/C (4.8mm) or Solder, Straight
HTB-341-R	Screwdriver	3/16" Q/C (4.8mm) or Solder, Right

**Voltage:** 250V **Rating:** 20A  
**Terminals:** Tin plated brass.  
**Mounting Standard:** Low profile, rear hex nut.  
**Mounting Option:** High profile, or snap mount low profile. Please contact sales for further information.  
**Ambient Temperature:** -55°C to +85°C.  
**Body:** Flame retardant thermoplastic UL 94VO.  
**Accessories:** Includes plastic nut and spacer.  
**Options:** Finger-grip type holders may be ordered with 'splash proof' knob, please contact sales.  
**Pack Size:** 1, 10, 100  
**Note:** Maximum panel Thickness: 7.62mm  
**Notes:** Fuse is not included.  
**Approvals:** CE RoHS

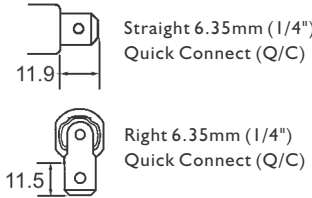


## Mounting Hole Double D Type

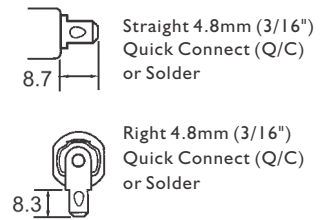


Dimensions in MM

## 1/4" Terminal Types



## 3/16" Terminal Types



FUSE HOLDERS

# 3AG 250V / 500V IN-LINE FUSE HOLDERS



**NEW**

## Features:

- High voltage rating accommodates many power applications.
- Single piece molded body minimizes component count.
- Wire leads are pre-attached to fuse clips for quick assembly.
- UL Recognized.

Part Number	Description
I50322	15A 500VAC / 500VDC
I50332	15A 250VAC / 250VDC

**Terminals:** Tin plated brass.  
**Wire Gauge:** 0.8mm<sup>2</sup> (#18 AWG) Black, 150°C stranded.  
**Wire Length:** 200mm each side of the body included.  
**Pack Size:** 1, 10, 100, 1000  
**Note:** 3AG fuse not included.  
**Approvals:** UL/CSA 4248.1, EI4721 RoHS



Clamshell Open / Close

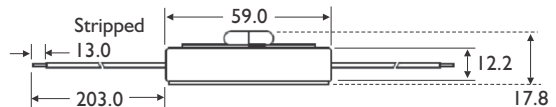
## RELATED PRODUCTS:



**AGC / 3AG Fuses**  
(see p.10 & 11)



**3AB Fuses**  
(see p.11)



Dimensions in MM

