

# AUTO FUSE IN-LINE HOLDERS WATERPROOF

**PROLEG**

**IP67**

**Features:**

- The lid features a tight snap lock feature and a mounting hole.
- The base features weatherproof seals for both the top and bottom.
- Ingress Protection rating of IP67.
- 2 x Pre-terminated and sealed lengths of wire included.



Part Number	Description
HHR	30A with 130mm (5") long wire
HHRL	30A with 305mm (12") long wire <b>NEW</b>

**Voltage:** 32V

**Cover:** Snap locking cover includes mounting hole.

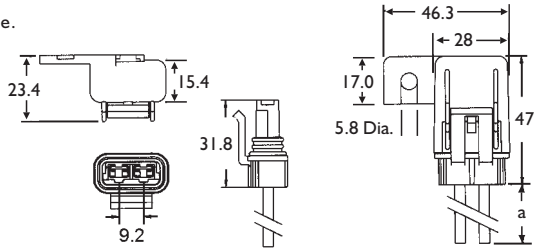
**Body Seals:** Silicone gasket and cable seal.

**Pack Size:** 1, 10, 100

**Wire:** 3.0mm<sup>2</sup> (#12AWG).

**Notes:** Fuse is not included.

**Approvals:** **RoHS**



Dimensions in MM

a = 130mm # HHR  
a = 305mm # HHRL

**RELATED PRODUCTS:**



**Auto Fuse**  
(see p.17)



**LED Auto Fuse**  
(see p.17)

# FUSE / BREAKER IN-LINE HOLDER WATERPROOF

**PROLEG**

**IP67**

**Features:**

- Clear cover allows visual identification of circuit protection device.
- Clear cover alerts a problem to the user when an LED indicating fuses is blown.
- The fuse holder suits multiple blade fuse types.
- The fuse holder extended cap also suits various bladed circuit breaker types.
- The lid features a tight snap lock feature and a mounting hole.
- The base features weatherproof seals for both the top and bottom IP67.
- Extra long 2 x 305mm / 12" lengths of wire included.



**305mm (12") Cables**

Part Number	Description
FHU002L	30A with Extended Cover

**Voltage:** 32V

**Body:** Black waterproof inline fuse holder.

**Body Seal:** Silicone gasket.

**Cover:** Clear cover with lock and mounting hole.

**Suits:** Mini, LED Mini, Auto and LED Auto Blade Fuses, Mini and Auto Bladed Circuit Breakers.

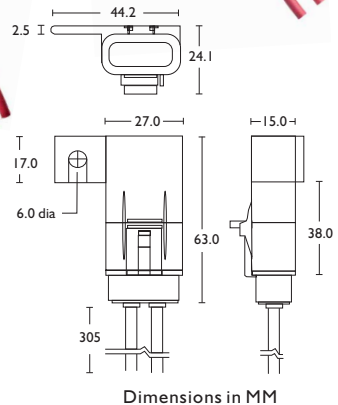
**Wire:** 3.0mm<sup>2</sup> (#12AWG).

**Wire Length:** 2 x 305mm / 12" lengths of wire.

**Pack Size:** 1, 10, 100, 500

**Notes:** Fuse & breakers are not included.

**Approvals:** **RoHS**



Dimensions in MM

**RELATED PRODUCTS:**



**Mini Fuse & LED Mini Fuse**  
(see p.15)



**Mini Breaker**  
(see p.48)



**Auto Fuse & LED Auto Fuse**  
(see p.17)



**Auto Breaker**  
(see p.49)

**PROLEG**

Email: [info@prolegproducts.com.au](mailto:info@prolegproducts.com.au)  
Web: [www.prolegproducts.com.au](http://www.prolegproducts.com.au)

FUSE HOLDERS