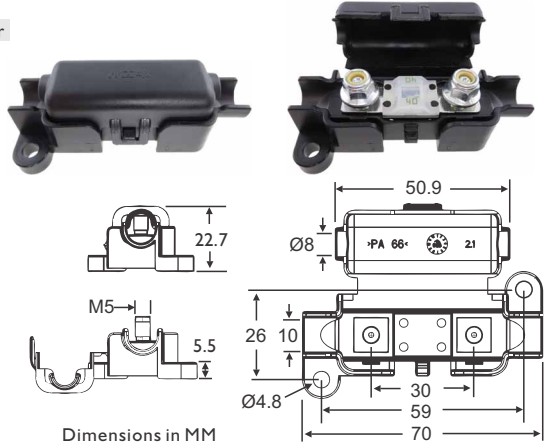


MIDI FUSE BLOCK



Part Number	Description
MIDFBB	Midi Fuse Block with Hinged Cover

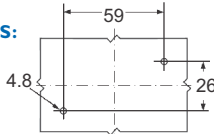
Voltage: 32VDC **Rating:** 125A
Body & Cover: Black PA66.
Accessories: Includes cover & flanged nuts.
Studs: M5 threaded studs. Steel / Zinc plated.
Torque Rating: 4.5 Nm
Features: Inline or surface mounting options.
Pack Size: 1, 10, 100, 500
Notes: Midi fuse is not included.
Approvals:



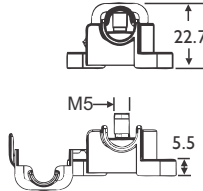
RELATED PRODUCTS:



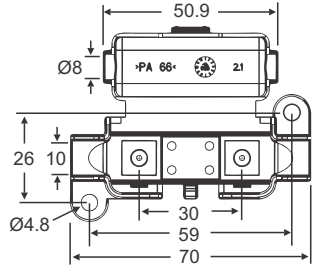
Midi Fuse
(See page 24)



Mounting Diagram



Dimensions in MM



MEGA FUSE IN-LINE HOLDERS



NEW IP20

Part Number	Kit Description
00380	Fuse holder, M8 bolts and nyloc nuts.
00380K	Fuse holder, M8 bolts, nyloc nuts and 2 x 10-20mm ² & 2 x 25-35mm ² terminals.
00380K1	Fuse holder, M8 bolts, nyloc nuts and 2 x 10-20mm ² terminals only. 90A
00380K2	Fuse holder, M8 bolts, nyloc nuts and 2 x 25-35mm ² terminals only. 100A
00395	Snap mount fixing plate 6.5mm hole.

Voltage: 32V
Body: PA66-GF30 HB
Studs: Steel M8 x 14. **Torque Rating:** 11 Nm
Pack Size: 1, 10, 50, 100, 500
Note: Mega fuse & fixing plates not included.

Fuse Inspection Window

Body Top

Flanged Nuts

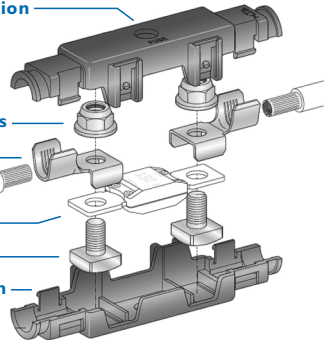
Terminal

Cable

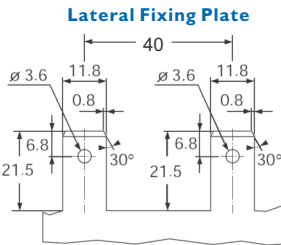
Mega Fuse

M8 Studs

Body Bottom



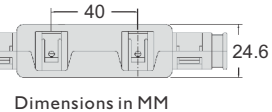
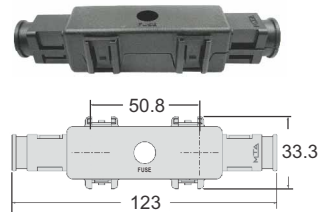
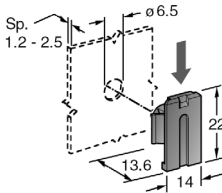
Suits wires up to 32mm²



Lateral Fixing Plate

Snap Mount Fixing Plate

Slide locks to holder.
Snaps into to panel hole.



Dimensions in MM

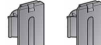
RELATED PRODUCTS:



Mega Fuses
(See p.25)



M8 Tubular Terminals
16mm², 25mm²
(see p.188)



Fixing Plates
2pcs req'd per holder