

# MDB POWER DISTRIBUTION MODULE FOR 2 OR 3 MIDI FUSES

Littelfuse

**NEW**  
**IP67**  
**IP69K**  
**58V**

The Littelfuse MDB series is an internally bussed, water-proof and dust-proof fuse holder developed for high current loads, and harsh conditions. The unit is well-suited for near-the-battery applications and can be mounted in exposed locations to fit your design. A single input power cable connects to a 3 pole busbar to feed either 2 or 3 Midi fuse protected output cables. Eliminates splices & multiple fuse holders. In addition, 2 spare Midi fuses can be fitted to the inside of the cover using the included screws. Very high IP rating.

Part Number	Description
04980933	PDM Module kit includes; 1 x Base with tethered cover & seal. 1 x Busbar powers up to 3 fuses from a single input cable. 6 x Nuts to secure up to 3 Midi fuses. 6 x Cable seals of assorted sizes. 1 x Cavity plug (required if you only install 2 x Midi fuses). 2 x Cable seal caps to secure cable seals into unit. 4 x Screws to secure 2 spare fuses to inside cover. 1 x Instruction sheet. Module kit does not include ring terminals or fuses.



04980933 - PDM Module Kit

**Voltage:** 58VDC max.

**Maximum Total Current:** 200A

**Wire Size:** 16 or 25mm<sup>2</sup> (input cable), 6 to 16mm<sup>2</sup> (output cables).

**Temperature Rating:** -40°C to +85°C.

**Body & Cover:** UL 94-V0.

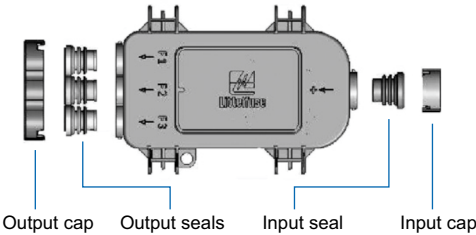
**Ingress Protection Rating:** IP67, IP69K when cover, cable seals & caps are installed. Cables must not exceed the minimum bend radius advised in the included instruction sheet to ensure seal integrity.

**Cavity Plug:** Included cavity plug must be fitted if using only 2 x Midi fuses.

**Mounting:** Surface mount using 3 fixing holes (M6 or 0.25").

**Suit Fuse:** Midi fuses.

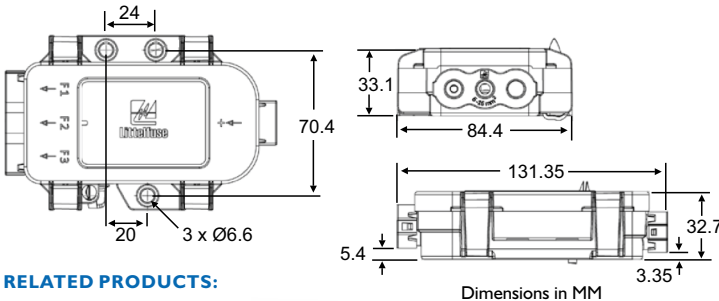
**Pack Size:** 1



Cable seals keep your fusing protected from dust, moisture, and debris.



AssureLatch™ technology to ensure an excellent seal & convenient closure system.



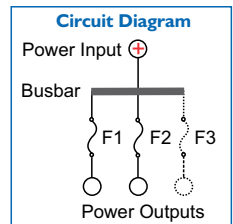
**RELATED PRODUCTS:**



Midi fuses 32V page 27.



Midi fuses 58V page 27.



FUSE HOLDERS