

MEGA FUSE BLOCK SEALED & IGNITION PROOF



IP69K **IP66** **IGNITION PROTECTED** **70V**

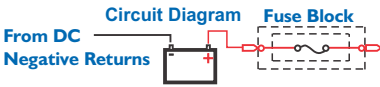
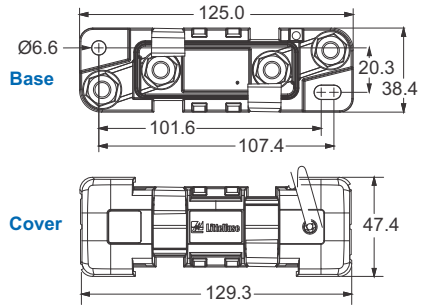
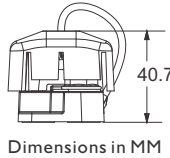
Features

- High amperage circuit protection in harsh / hazardous environments.
- Waterproof sealed fuse compartment protects fuse from corrosion.
- Ignition protected to SAE J1171 and ISO 8846 for installation in a battery box or on vehicles carrying hazardous loads.
- Stainless steel hardware and tin-plated 100% pure copper optimize long-term corrosion protection.
- Allows dielectric spray on cable terminals without compromising fuse connections.
- Cover retention ensured through integrated tether. AssureLatch™ technology for worry-free positive latching.



Part Number	Description
880014	Mega Fuse Block & Cover Sealed

Voltage: 70VDC
Rating Max: 500A, 375A continuous.
Input Studs: M8 stainless steel.
Ignition Protected: SAE J1171 and ISO 8846
Ingress Protection: IP66 / IP69K
Operating Temperature: -50°C to +125°C
Shock: 50 G's **Vibration:** 8 G's
Input Terminal Stud Torque: 20Nm, Max 30Nm.
Mounting Fuse Stud Torque: 12-18Nm.
Mounting Block Torque M6 Holes: 5-8Nm.
Fuse Block: Inc. cover, SS screws & hex nuts.
Pack Size: 1, 10
Notes: Fuses not included.



FUSE HOLDERS

MEGA BATTERY DISTRIBUTION UNIT POST MOUNT



Features:

- Durable clip-on cover. Cable feeds through slots in the housing.
- Double ring (19mm) connects to positive top post battery terminal.

Part Number	Description
0101703	1 Way Mega Fuse BDU With Cover

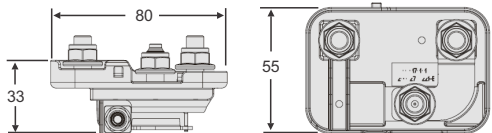
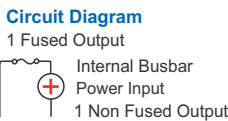
Voltage: 32VDC **Rating Max:** 250A.
Operating Temperature: -40°C to +120°C
M6 Post Torque: 4.5Nm. **M8 Terminal Torque:** 11Nm.
BDU: Includes housing, cover, busbar, self locking nuts.
Notes: Fuses not included.



RELATED PRODUCTS:

Mega fuse
(see p.25)

Powerval
(see p.26)



Email: info@prolecproducts.com.au
 Web: www.prolecproducts.com.au