

Part Number	Colour	Description
PROBRK003	Black	Mounting Bracket, 90 degree

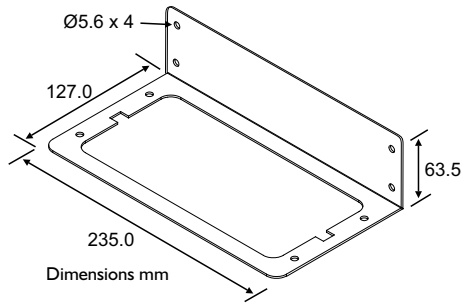
Bracket Material: 3mm stainless steel

Hardware: 4 x stainless steel screws & lock washers included for mounting the RFMR block to the bracket as illustrated below.

Notes: RFMR block is not included.



PROBRK003



Assembly Instructions

1. Remove the cover of the RFMR block.
2. Position the bracket onto the top side of the RFMR block.
3. Secure the bracket to the RFMR block using the four included screws and lock washers.
4. Fit the bracket to the vehicle.



4 Screws & Washers
Included with bracket.