

# RTMR MEDIUM PROFILE MOUNTING BRACKET

Prolec

NEW

Our medium profile mounting bracket features an overall height of 45mm which provides ample clearance below the block for all cabling. It can be used with any of our RTMR blocks.

### Features:

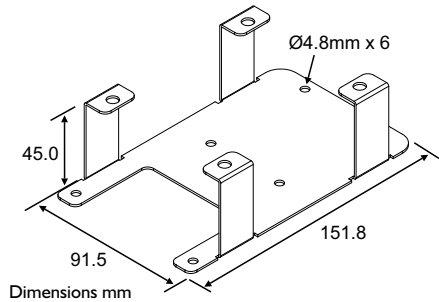
- Robust one piece design in black power coat finish.
- 6 fixing holes to secure the bracket to a panel.
- lower cutout to allow cables to pass through the panel.

Part Number	Description
PROBRK001	Medium Profile Bracket (45mm height)

**Bracket Material:** Zinc Anneal powder coated black

**Hardware:** 4 x stainless steel screws & lock washers included for mounting the RTMR block to the bracket as illustrated below.

**Notes:** Suitable for mounting any RTMR power distribution block.



### Assembly Instructions

1. Secure the bracket to the vehicle.
2. Slide the RTMR block under the four mounting points on the bracket.
3. Secure the RTMR block to the bracket using the four included screws and lock washers.



**4 Screws & Washers  
Included with bracket.**