

MASTER DISCONNECT SWITCH - DUAL POLE

Littelfuse
TR Series

NEW
IP67
IP69K

The Littelfuse Master Disconnect 2 Pole Switch cuts all battery power from vehicle electrical systems with applications needing switching of two circuits, or both positive and negative. Can be used to switch two vehicle voltage circuits simultaneously (24V and 12V). Disconnect a battery or multiple batteries, in either the positive or the negative line.

Features

- 500A continuous current rating for each of the two circuits.
- Ingress protection to IP67 and IP69K means that the switch can be mounted in exposed locations on the vehicle.
- Drop-in replacement for competitive Master Disconnect Switches, with higher vibration and shock capabilities.
- Direct lockout/tagout capability in On or Off position, with padlock or hasp.

Part Number:	Description
880175	On/Off Switch, Two Pole with Lockout

Voltage: 48VDC.

Max Continuous Current Ratings:

500A per circuit with 2 x 4/0 input and 2 x 4/0 output cables.

350A per circuit with 1 x 4/0 input and 1 x 4/0 output cables.

Terminal Stud Size: M12 x 25mm.

Terminal Studs: tin-plated copper

Hardware: Stainless steel nuts (included)

Ingress Protection Rating: IP67/IP69K.

Inrush Rating (1 sec): 3,000A per circuit with 2 x 4/0 + 1 x 2 AWG.

Cranking rating (30 sec):

2,250A per circuit with 2 x 4/0 input and 2 x 4/0 output cables.

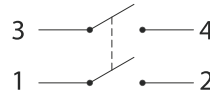
1,750A per circuit with 1 x 4/0 input and 1 x 4/0 output cables.

Temperature Rating: -50 °C to +85 °C, DC rated to 105 °C.

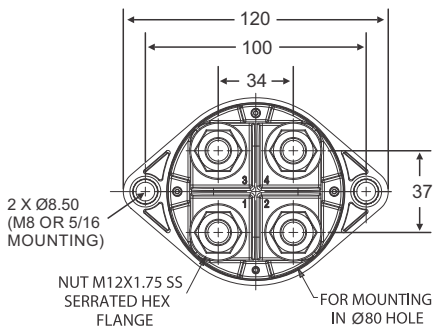
Recommended Terminal Torque: 20 Nm (30Nm max).

Recommended Mounting Torque: 15Nm (20Nm max).

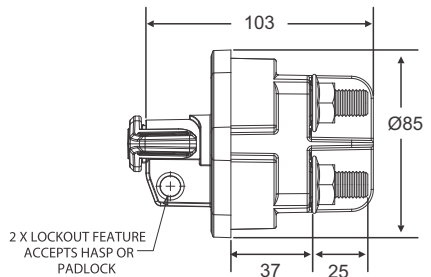
Notes: Ambient temperature can reach 105 °C with appropriate derating. Stud terminals must never exceed 125 °C under any condition.



Internal Switch
Circuit Diagram

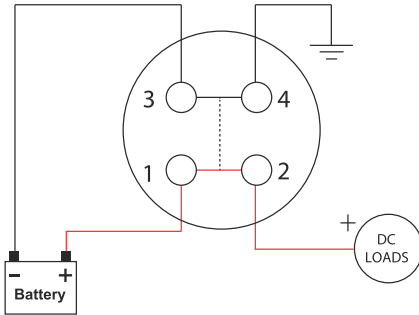


Dimensions in MM

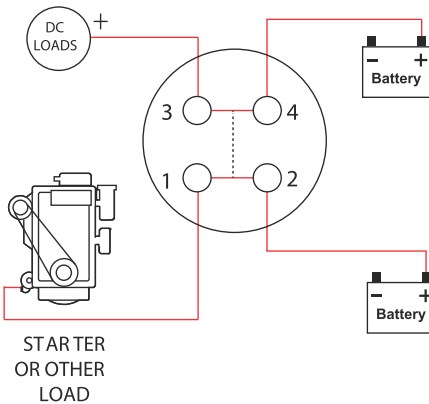


Please refer to page 2 for wiring configurations.

Wiring Configurations



Master Battery Disconnect Dual Pole
Switching One Battery, Positive and Negative
(shown in ON state)



Master Battery Disconnect Dual Pole
Switching Two Batteries
(shown in ON state)