

The modular stud type design that enables easy mounting in panel boards. The new MFH series are also slide lockable for multiple pole applications and they have a clear terminal protection cover.

NEW

- Modular design reduces inventory requirements.
- Sold in pairs for convenience.
- Supplied with nut and Belleville washer.
- 200kA short-circuit withstand rating.

| Part Number | Ampere Rating | Voltage Rating | Terminal Stud Size |
|-------------|---------------|----------------|--------------------|
| MFH6063DDCH | 600A | 600VAC/DC | 3/8"-16 |
| MFH6153DDCH | 600A | 1500VAC/DC | 3/8"-16 |
| MFH8065FFCH | 800A | 600VAC/DC | 1/2"-13 |
| MFH8155FFCH | 800A | 1500VAC/DC | 1/2"-13 |



MFH6063DDCH

Pack Size (box): 1

Cover Material: Clear thermoplastic.

Base Material: Black Thermoplastic.

Terminal Material: Steel, Zinc Plated.

Fastener Mtg Size: # 10

Approvals:   



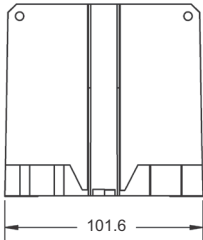
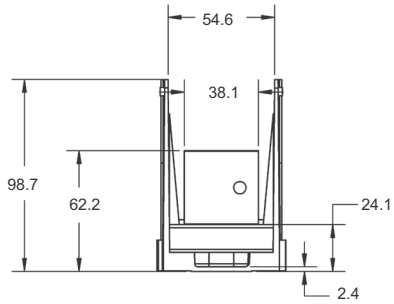
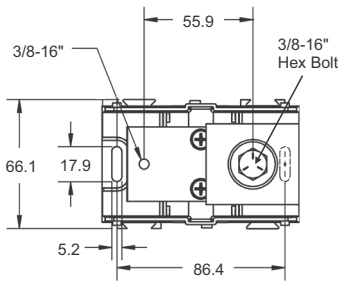
Please refer to page 2 for Fuse Compatibility Reference
Please refer to page 3 for Fuse Block Dimensions

FUSE COMPATIBILITY REFERENCE

| Fuse Series | Amp Range | MFH6063DDCH | MFH6153DDCH | MFH8065FFCH | MFH8155FFCH |
|-------------|-------------|-------------|-------------|-------------|-------------|
| 250GG | 160A - 200A | X | X | | |
| 4-GG | 630-800A | | | X | X |
| 4-NB | 630-800A | | | X | X |
| 4-SB | 630-800A | | | X | X |
| 571-FF | 160A - 450A | X | X | | |
| 572-FF | 350A - 600A | X | X | | |
| 851-FF | 180A - 350A | X | X | | |
| 852-FF | 400A - 600A | X | X | | |
| 861-FF | 125A - 355A | X | X | | |
| 862-FF | 180A - 600A | X | X | | |
| DFJ | 225A - 400A | X | X | | |
| DFJ | 450A - 600A | X | X | X | X |
| FBT | 35A - 500A | X | X | | |
| FWA | 500A - 600A | X | X | | |
| FWH | 225A - 600A | X | X | | |
| FWH | 700A - 800A | | | X | X |
| FWJ | 125A - 200A | | X | | |
| FWJ | 250A - 400A | | X | | |
| FWJ | 500A - 600A | | X | | X |
| FWJ | 800A - 800A | | | | X |
| FWP | 125A - 400A | | X | | |
| FWP | 450A - 600A | | X | | X |
| FWP | 700A - 800A | | | | X |
| FWX | 225A - 600A | X | X | | |
| JJN | 225A - 400A | X | X | | |
| JJN | 450A - 600A | X | X | | |
| JJN | 700A - 800A | | | X | X |
| JJS | 225A - 400A | X | X | | |
| JJS | 450A - 600A | X | X | | |
| JJS | 700A - 800A | | | X | X |
| JKS | 225A - 400A | X | X | | |
| JKS | 450A - 600A | X | X | X | X |
| KAC | 70A - 200A | X | X | | |
| KAC | 225A - 800A | | | X | X |
| KBC | 225A - 600A | X | X | | |
| KRPC | 800A - 800A | | | X | X |
| LPJ..SP | 225A - 400A | X | X | | |
| LPJ..SP | 450A - 600A | X | X | X | X |
| TPL / LI 7T | 300A - 600A | X | X | | |

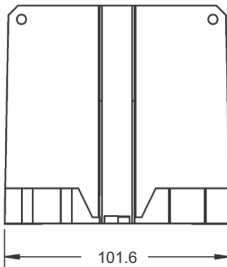
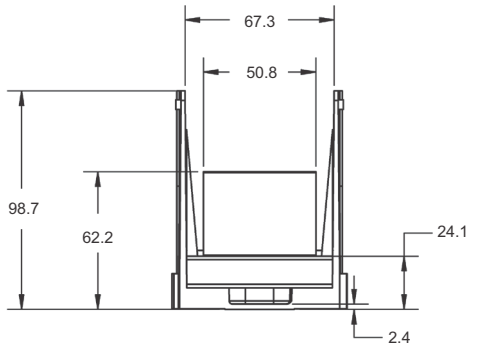
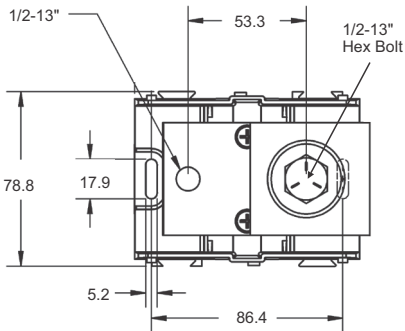
Not all recommended holders may be suitable for your circuit.
Please check the holder specifications are suitable for your fuse.

DIMENSIONS FOR MFH6.. BLOCK



Dimensions in MM

DIMENSIONS FOR MFH8.. BLOCK



Dimensions in MM